



**СУПЕРКОМПЬЮТЕРНЫЙ ЦЕНТР**  
*Южно-Уральского государственного университета*

# Пакет инженерного анализа DEFORM

**Лабораторные работы:**  
обработка результатов расчёта в постпроцессоре

---

# 1. Запуск постпроцессора

Корзина Notepad++ virtual PC

СКИФ-Урал

Adobe Reader 8 OpenOffice... 3.0 winscp

eclipse Opera Microsoft Visual Stud...

Far Manager Paint.NET

GIMP 2 PHP Expert Editor

Google Chro... putty

IrfanView Restart Denwer

Lazarus StarDict

Mozilla Firefox Start Denwer

NetBeans IDE 6.5.1 Stop Denwer

пример MPI

Explore Database Recent

Directory

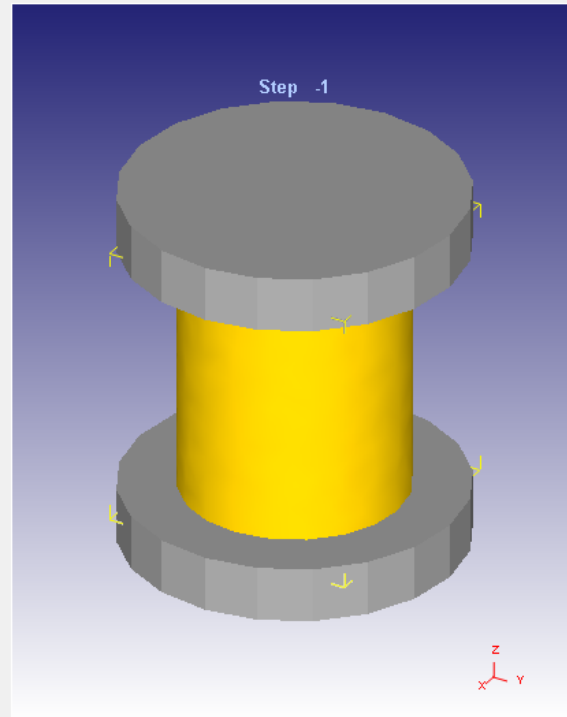
- PROBLEM
  - immersion12

immersion12.DB

- dbg\_surf.2
- DEF\_MAIL.INI
- DEFORM3D.PROB
- DENSTY.DST
- frgen3d.diag.p0001
- immersion12.PNG
- meshqual.diag
- surf.3
- surf.4
- surf.5
- surf.6

Problem ID immersion12

Summary Preview Message Log Memo



Pre Processor

- DEFORM-3D Pre
  - Machining [Cutting]
  - Fforming
  - Die Stress Analysis
  - Cogging
  - Shape Rolling
  - Ring Rolling
  - Heat Treatment

Tool

- Inverse Heat
- Preform Wizard

Simulator

- Run
- Run (options)
- Stop
- Continue
- Process Monitor
- Simulation Graphics

- Batch Queue
- Add to Queue

- Run Remotely
- Remote Process Monitor

[Monitor Floating License](#)

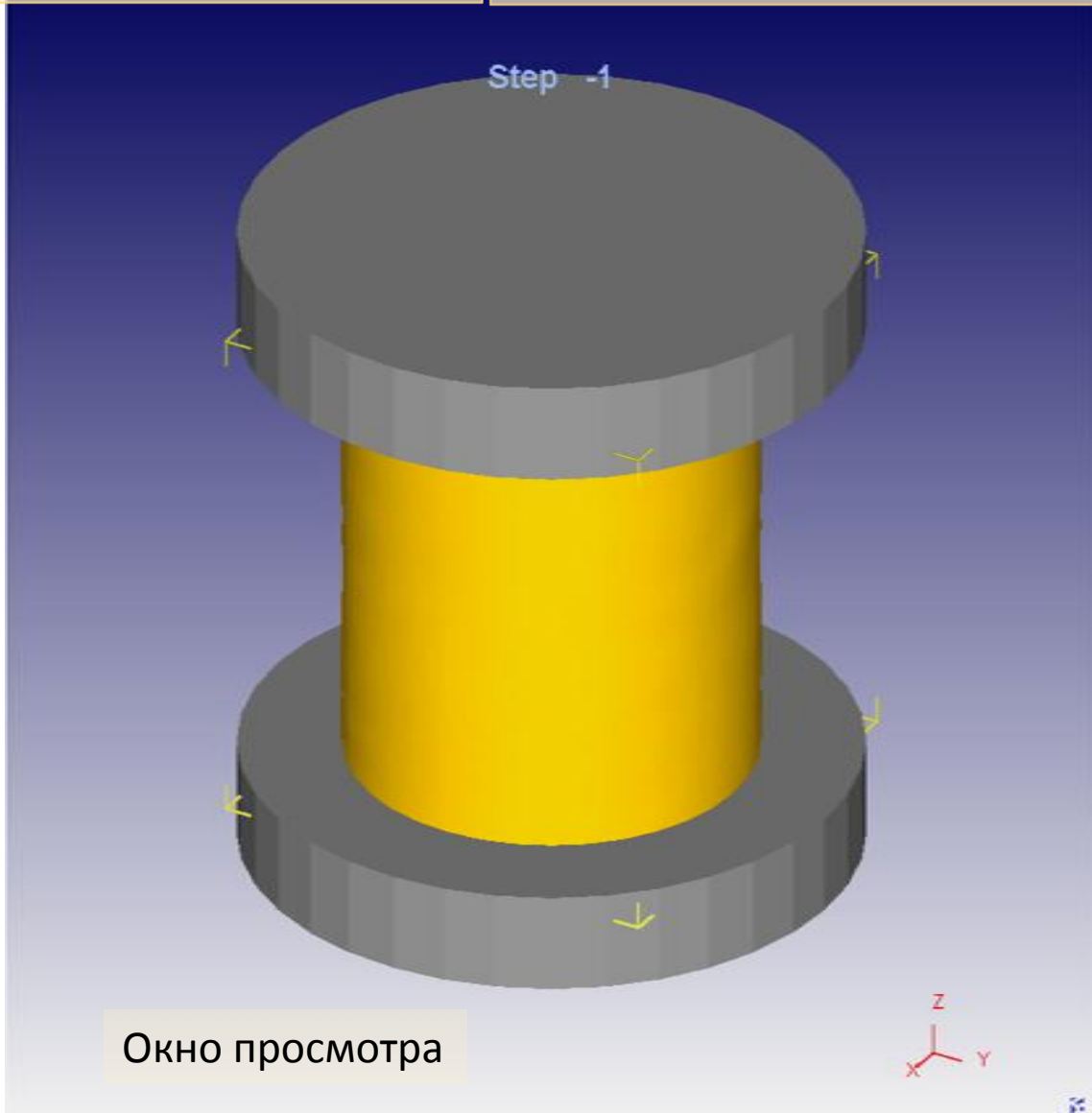
Post Processor

- DEFORM-3D Post
- Microstructure

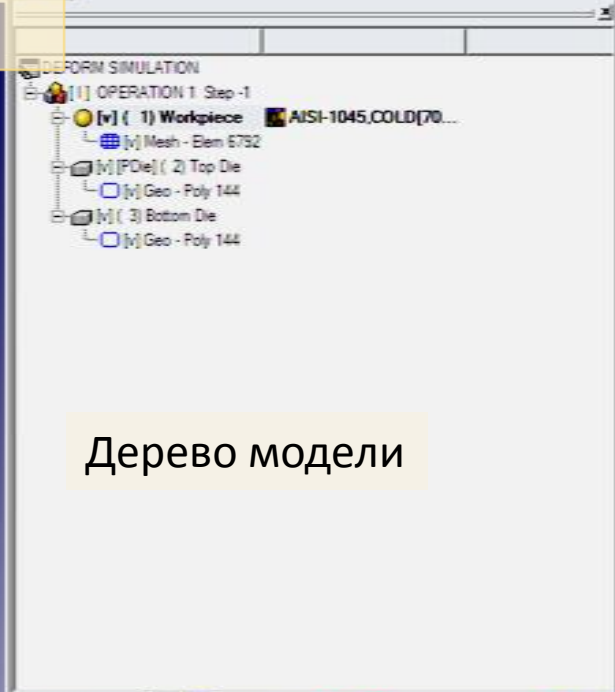


Кнопки перехода по шагам

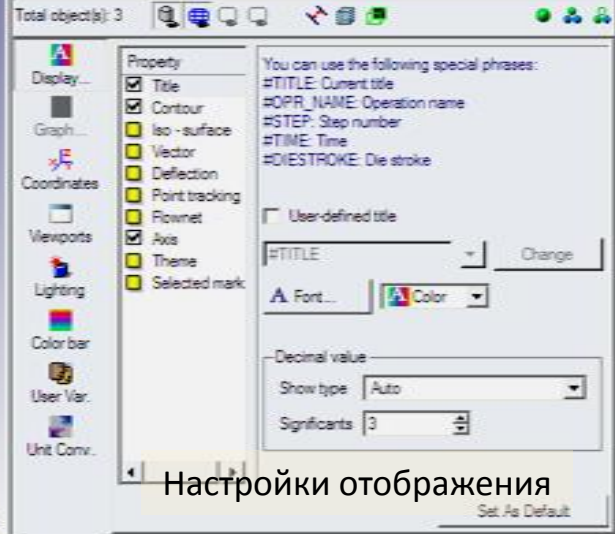
Кнопки управления отчетами



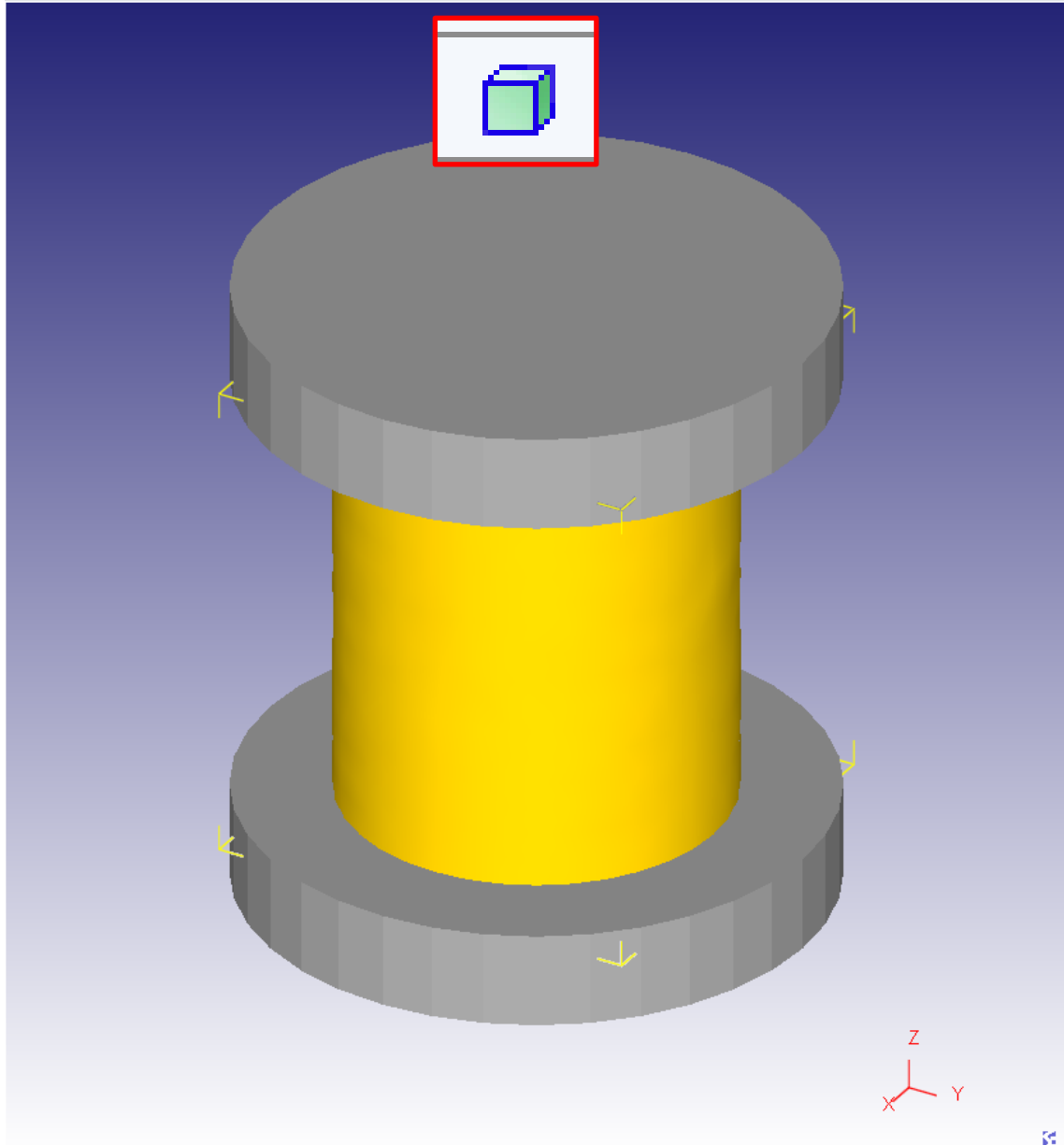
Окно просмотра



Дерево модели



Настройки отображения



DEFORM SIMULATION

- OPERATION 1 Step -1
  - (v) ( 1) Workpiece AISI-1045.COLD[70...
    - (v) Mesh - Elem 6792
  - (v) [PDie] ( 2) Top Die
    - (v) Geo - Poly 144
  - (v) ( 3) Bottom Die
    - (v) Geo - Poly 144

Total object(s): 3

Property

- Title
- Contour
- Iso - surface
- Vector
- Deflection
- Point tracking
- Flownet
- Axis
- Theme
- Selected mark

You can use the following special phrases:

- #TITLE: Current title
- #OPR\_NAME: Operation name
- #STEP: Step number
- #TIME: Time
- #DIESTROKE: Die stroke

User-defined title

#TITLE [dropdown] Change

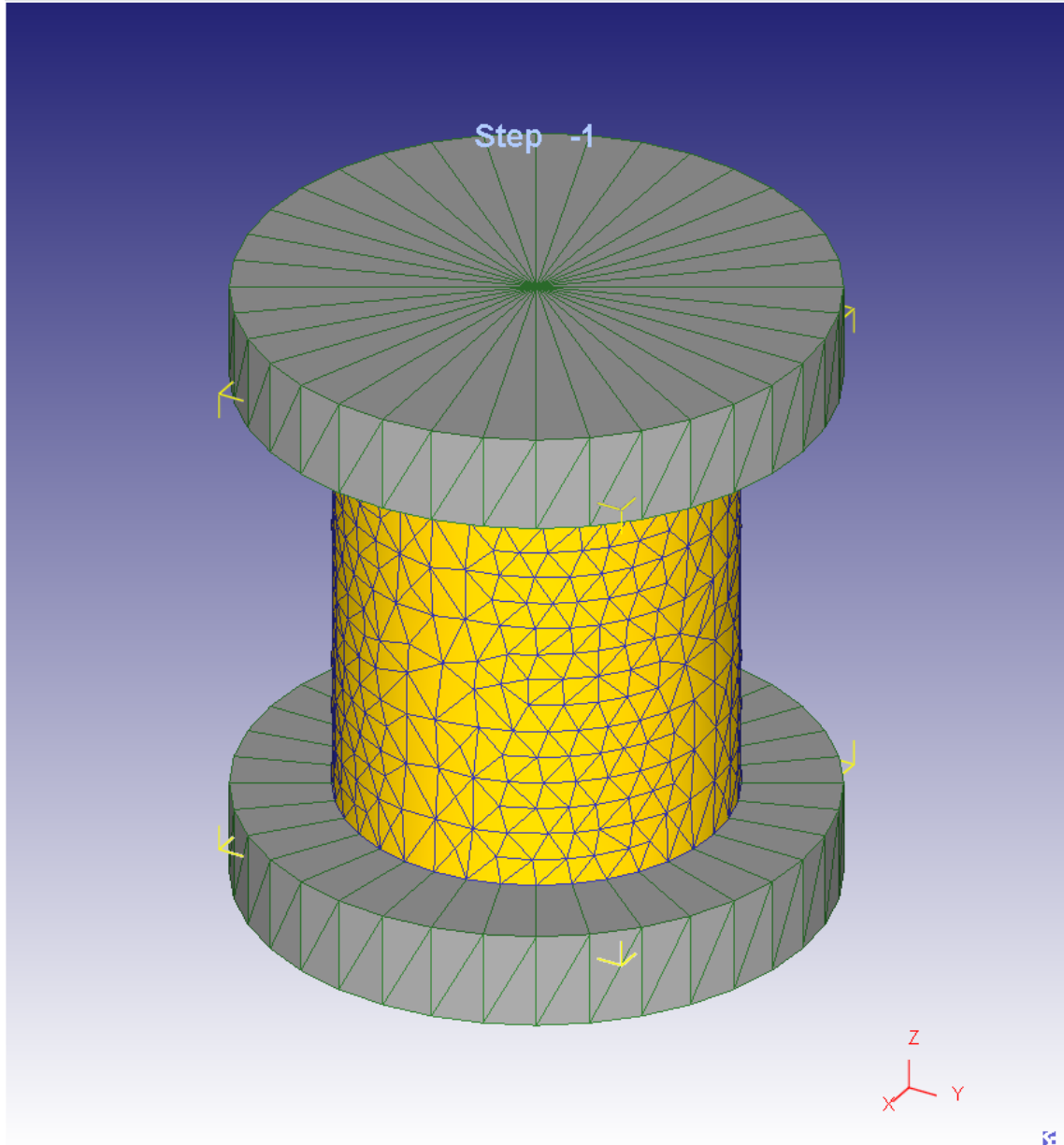
Font... [dropdown] Color [dropdown]

Decimal value

Show type: Auto [dropdown]

Significants: 3 [spin]

Set As Default



DEFORM SIMULATION

- OPERATION 1 Step -1
  - (v) ( 1) Workpiece AISI-1045.COLD[70...
    - (v) Mesh - Elem 6792
  - (v) [PDie] ( 2) Top Die
    - (v) Geo - Poly 144
  - (v) ( 3) Bottom Die
    - (v) Geo - Poly 144

Total object(s): 3

Property

- Title
- Contour
- Iso - surface
- Vector
- Deflection
- Point tracking
- Flownet
- Axis
- Theme
- Selected mark

You can use the following special phrases:

- #TITLE: Current title
- #OPR\_NAME: Operation name
- #STEP: Step number
- #TIME: Time
- #DIESTROKE: Die stroke

User-defined title

#TITLE [Change]

Font... Color

Decimal value

Show type: Auto

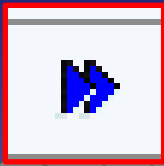
Significants: 3

Set As Default

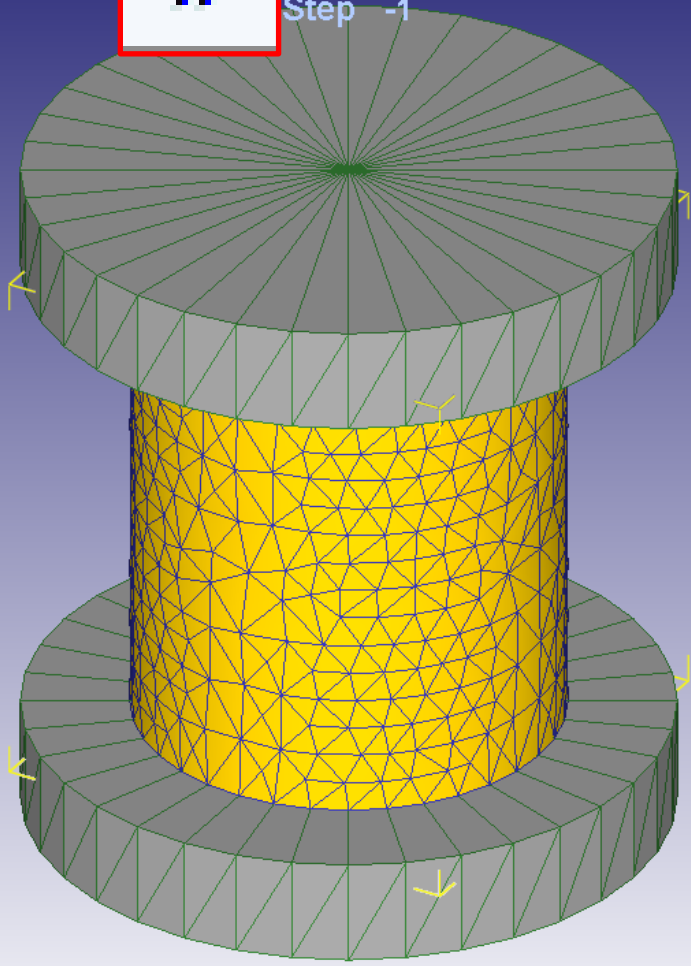
---

## 2. Перемещение по шагам





Step -1



DEFORM SIMULATION

- OPERATION 1 Step -1
  - (v) ( 1) Workpiece AISI-1045.COLD[70...
    - (v) Mesh - Elem 6792
  - (v) [PDie] ( 2) Top Die
    - (v) Geo - Poly 144
  - (v) ( 3) Bottom Die
    - (v) Geo - Poly 144

Total object(s): 3

Property

- Title
- Contour
- Iso - surface
- Vector
- Deflection
- Point tracking
- Flownet
- Axis
- Theme
- Selected mark

You can use the following special phrases:

- #TITLE: Current title
- #OPR\_NAME: Operation name
- #STEP: Step number
- #TIME: Time
- #DIESTROKE: Die stroke

User-defined title

#TITLE [v] Change

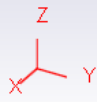
Font... [v] Color [v]

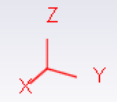
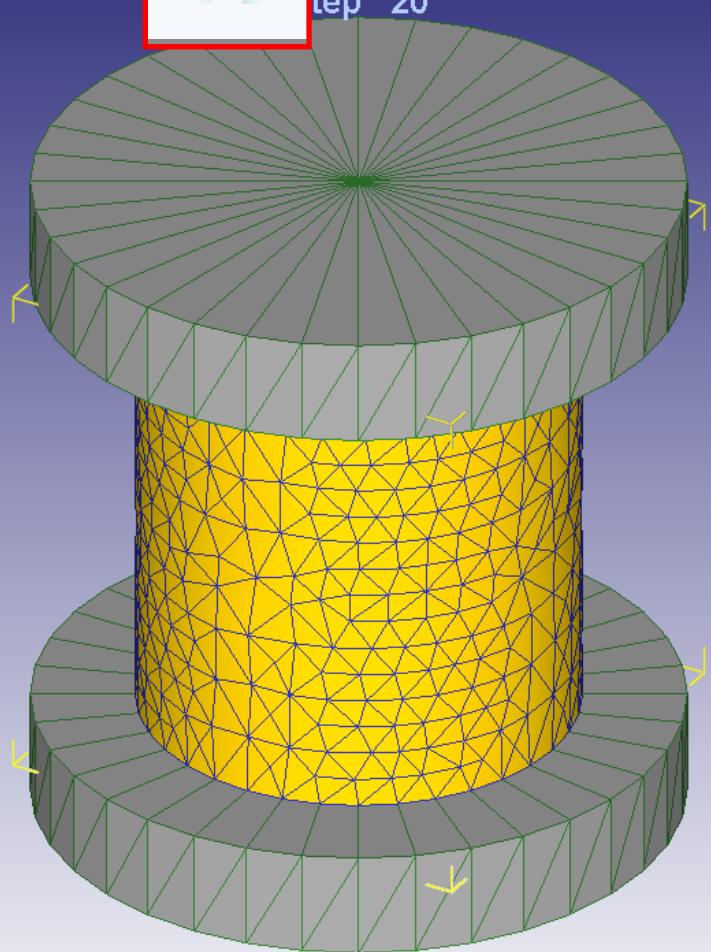
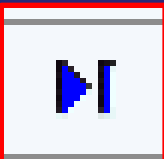
Decimal value

Show type: Auto [v]

Significants: 3 [v]

Set As Default





DEFORM SIMULATION

- OPERATION 1 Step 20
  - (v) ( 1) Workpiece AISI-1045.COLD[70...
    - (v) Mesh - Elem 6792
  - (v) [PDie] ( 2) Top Die
    - (v) Geo - Poly 144
  - (v) ( 3) Bottom Die
    - (v) Geo - Poly 144

Total object(s): 3

Property

- Title
- Contour
- Iso - surface
- Vector
- Deflection
- Point tracking
- Flownet
- Axis
- Theme
- Selected mark

You can use the following special phrases:

- #TITLE: Current title
- #OPR\_NAME: Operation name
- #STEP: Step number
- #TIME: Time
- #DIESTROKE: Die stroke

User-defined title

#TITLE [dropdown] Change

Font... [dropdown] Color [dropdown]

Decimal value

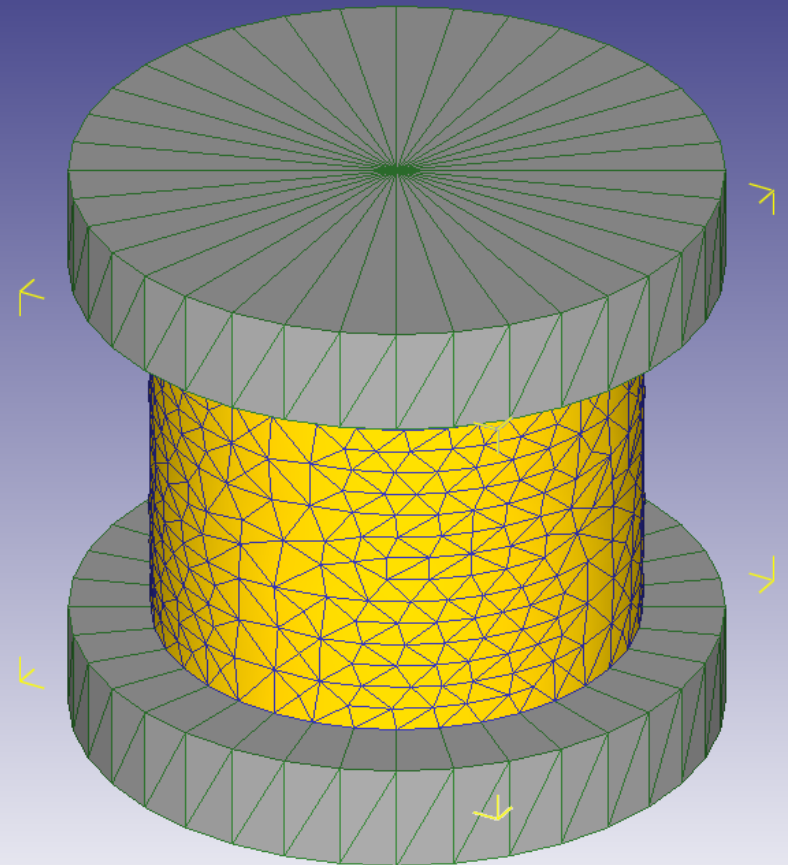
Show type: Auto [dropdown]

Significants: 3 [spinbox]

Set As Default

Last step

Step 100



DEFORM SIMULATION

- OPERATION 1 Step 100
  - (v) ( 1 ) Workpiece AISI-1045.COLD[70...
  - (v) Mesh - Elem 6792
  - (v) [PDie] ( 2 ) Top Die
    - (v) Geo - Poly 144
  - (v) ( 3 ) Bottom Die
    - (v) Geo - Poly 144

Total object(s): 3 [Icons]

Property

- Title
- Contour
- Iso - surface
- Vector
- Deflection
- Point tracking
- Flownet
- Axis
- Theme
- Selected mark

You can use the following special phrases:

- #TITLE: Current title
- #OPR\_NAME: Operation name
- #STEP: Step number
- #TIME: Time
- #DIESTROKE: Die stroke

User-defined title

#TITLE [Dropdown] Change

Font... [Dropdown] Color [Dropdown]

Decimal value

Show type: Auto [Dropdown]

Significants: 3 [Spinner]

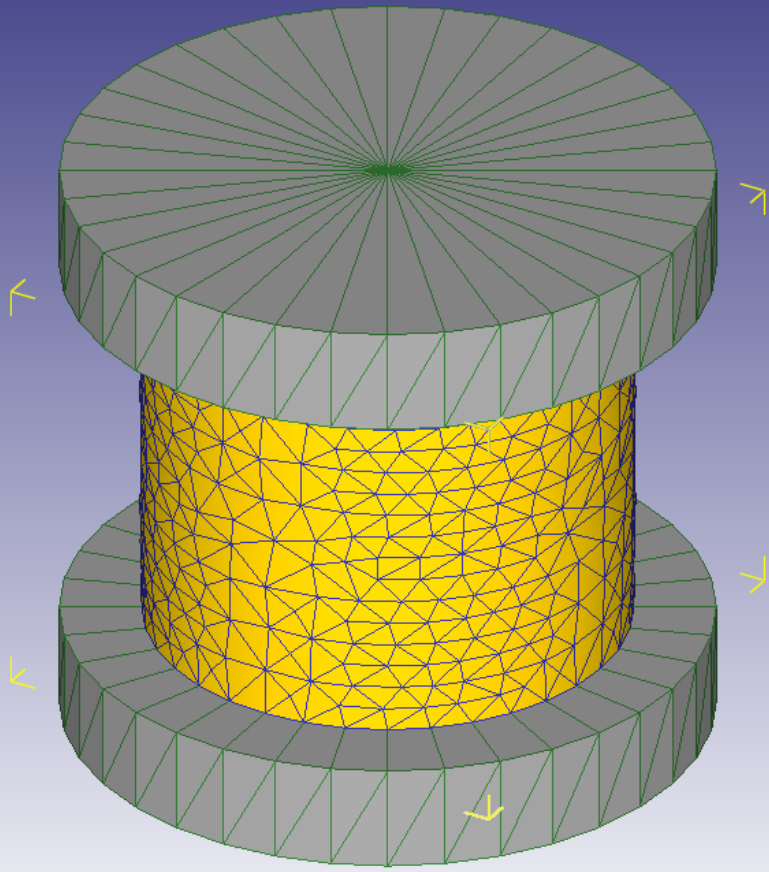
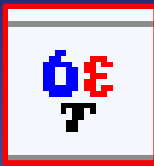
Set As Default

---

## 3. Отображение результатов решения

Last step

Step 100



DEFORM SIMULATION

- OPERATION 1 Step 100
  - (v) ( 1) Workpiece AISI-1045.COLD[70...
    - (v) Mesh - Elem 6792
  - (v) [PDie] ( 2) Top Die
    - (v) Geo - Poly 144
  - (v) ( 3) Bottom Die
    - (v) Geo - Poly 144

Total object(s): 3 [Icons]

Property

- Title
- Contour
- Iso - surface
- Vector
- Deflection
- Point tracking
- Flownet
- Axis
- Theme
- Selected mark

You can use the following special phrases:

- #TITLE: Current title
- #OPR\_NAME: Operation name
- #STEP: Step number
- #TIME: Time
- #DIESTROKE: Die stroke

User-defined title

#TITLE [Dropdown] Change

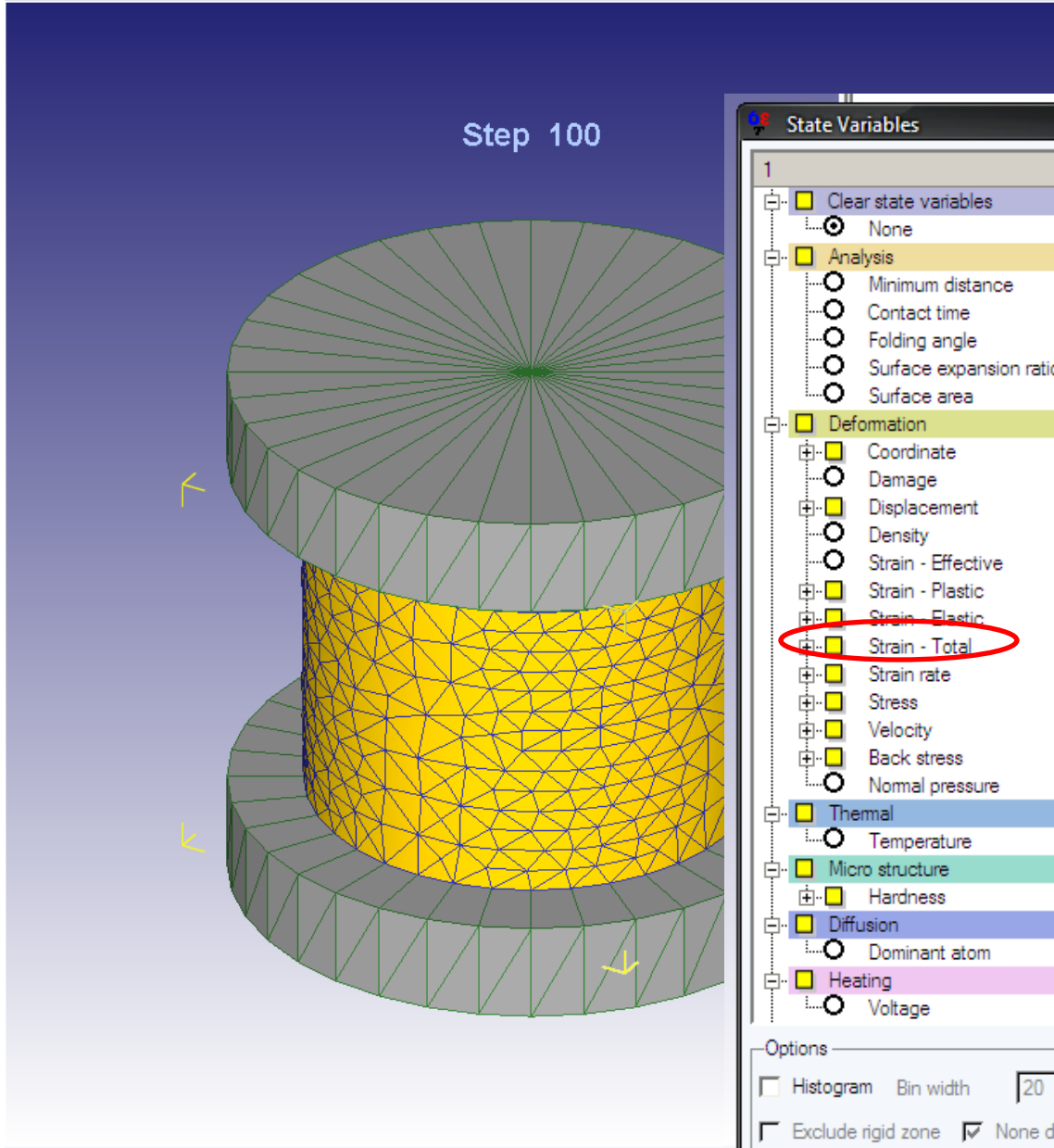
Font... [Dropdown] Color [Dropdown]

Decimal value

Show type: Auto [Dropdown]

Significants: 3 [Spinner]

Set As Default



DEFORM SIMULATION  
OPERATION 1 Step 100

### State Variables

- 1
  - Clear state variables
    - None
  - Analysis
    - Minimum distance
    - Contact time
    - Folding angle
    - Surface expansion ratio
    - Surface area
  - Deformation
    - Coordinate
    - Damage
    - Displacement
    - Density
    - Strain - Effective
    - Strain - Plastic
    - Strain - Elastic
    - Strain - Total
    - Strain rate
    - Stress
    - Velocity
    - Back stress
    - Normal pressure
  - Thermal
    - Temperature
  - Micro structure
    - Hardness
  - Diffusion
    - Dominant atom
  - Heating
    - Voltage

Options

Histogram Bin width 20

Exclude rigid zone  None decrease

Display

Line  Iso surface

Shaded  Vector plot

Solid  MinMax plot

Elemental

Set as default display Setup...

Deflection Show Controls

Scaling

Local  User Min

Global  Object Max

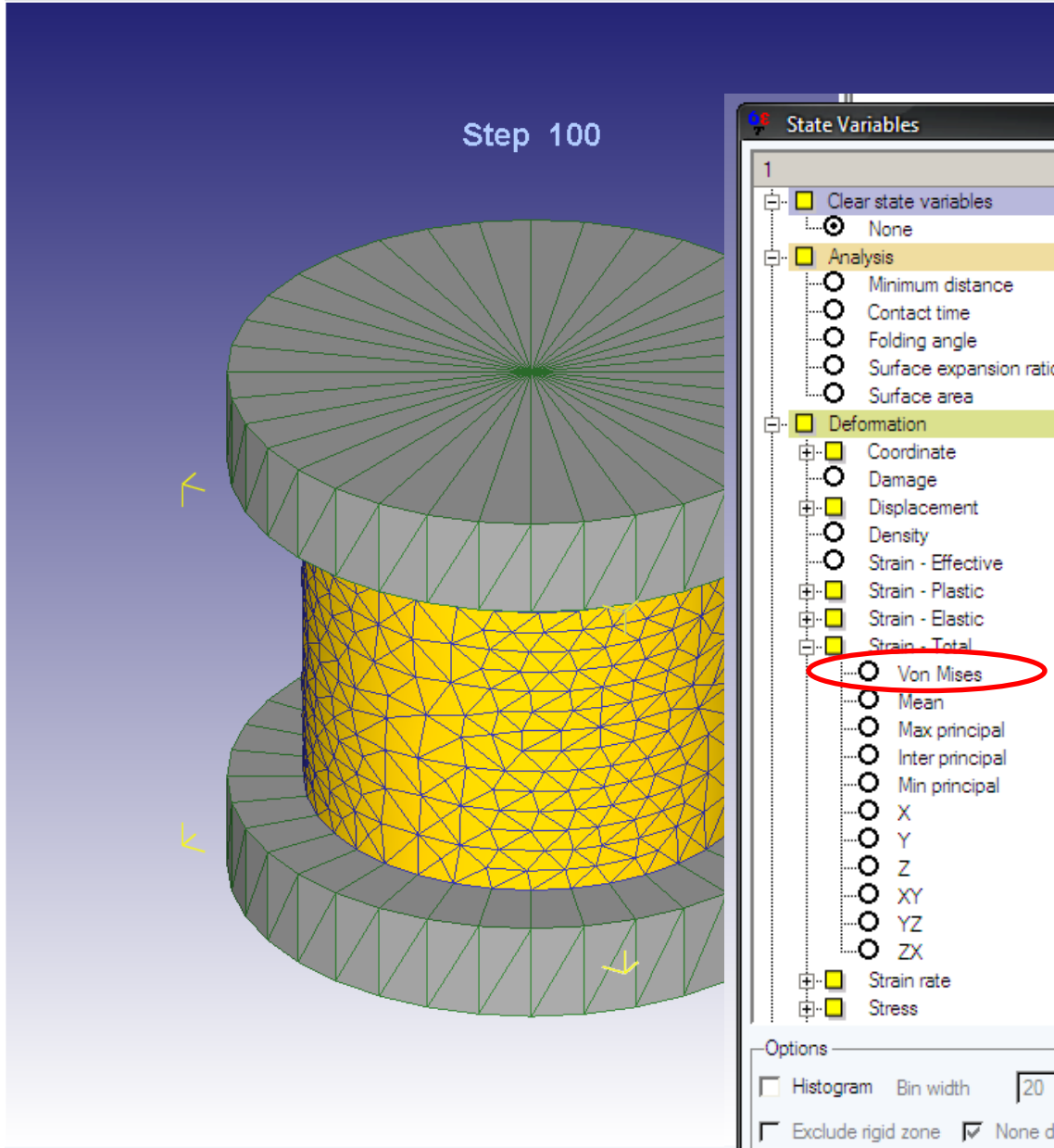
Title | Label | Shaded | Line | Min / 1 < >

User-defined title

Title Change

Font... Color

Apply Close



DEFORM SIMULATION  
OPERATION 1 Step 100

### State Variables

- Clear state variables
  - None
- Analysis
  - Minimum distance
  - Contact time
  - Folding angle
  - Surface expansion ratio
  - Surface area
- Deformation
  - Coordinate
  - Damage
  - Displacement
  - Density
  - Strain - Effective
  - Strain - Plastic
  - Strain - Elastic
  - Strain - Total
  - Von Mises
  - Mean
  - Max principal
  - Inter principal
  - Min principal
  - X
  - Y
  - Z
  - XY
  - YZ
  - ZX
  - Strain rate
  - Stress

**Display**

Line  Iso surface

Shaded  Vector plot

Solid  MinMax plot

Elemental

Set as default display

Deflection

**Scaling**

Local  User Min

Global  Object Max

Title | Label | Shaded | Line | Min / I < >

User-defined title

Title

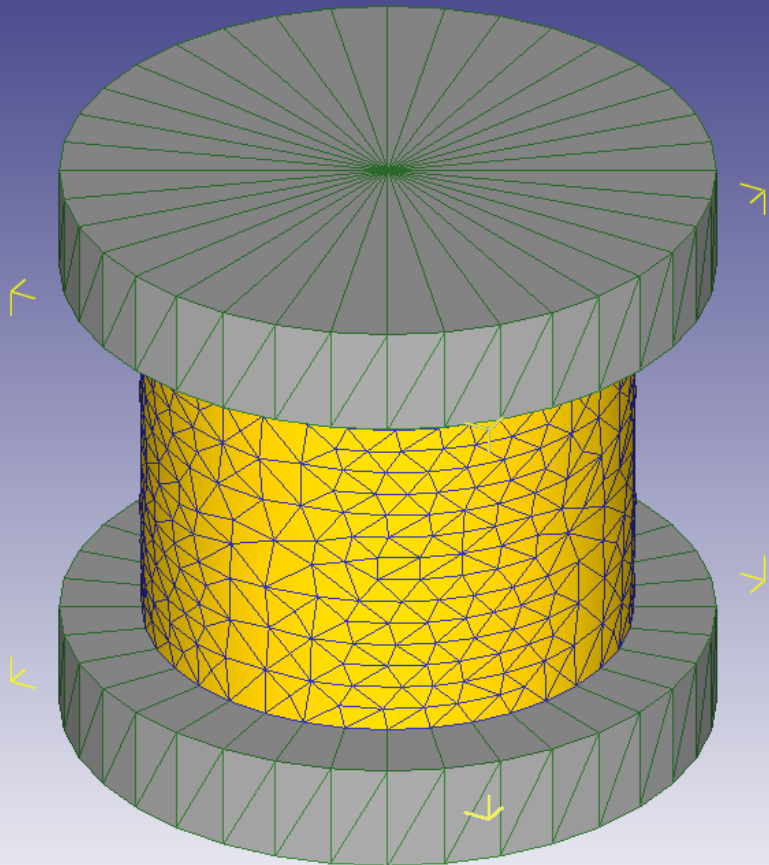
Font... Color

**Options**

Histogram Bin width

Exclude rigid zone  None decrease

Step 100



DEFORM SIMULATION

- OPERATION 1 Step 100
  - (v) (1) Workpiece AISI-1045.COLD[70...
    - (v) Mesh - Elem 6792
  - (v) [PDie] ( 2) Top Die
    - (v) Geo - Poly 144
  - (v) ( 3) Bottom Die
    - (v) Geo - Poly 144

State Variables

1

- Clear state variables
  - None
- Analysis
  - Minimum distance
  - Contact time
  - Folding angle
  - Surface expansion ratio
  - Surface area
- Deformation
  - Coordinate
  - Damage
  - Displacement
  - Density
  - Strain - Effective
  - Strain - Plastic
  - Strain - Elastic
  - Strain - Total
  - Von Mises**
    - Mean
    - Max principal
    - Inter principal
    - Min principal
    - X
    - Y
    - Z
    - XY
    - YZ
    - ZX
  - Strain rate
  - Stress

Options

- Histogram Bin width 20
- Exclude rigid zone  None decrease

Display

- Line  Iso surface
- Shaded  Vector plot
- Solid  MinMax plot
- Elemental

Set as default display Setup...

Deflection Show Controls

Scaling

- Local  User Min 0.000
- Global  Object Max 0.000

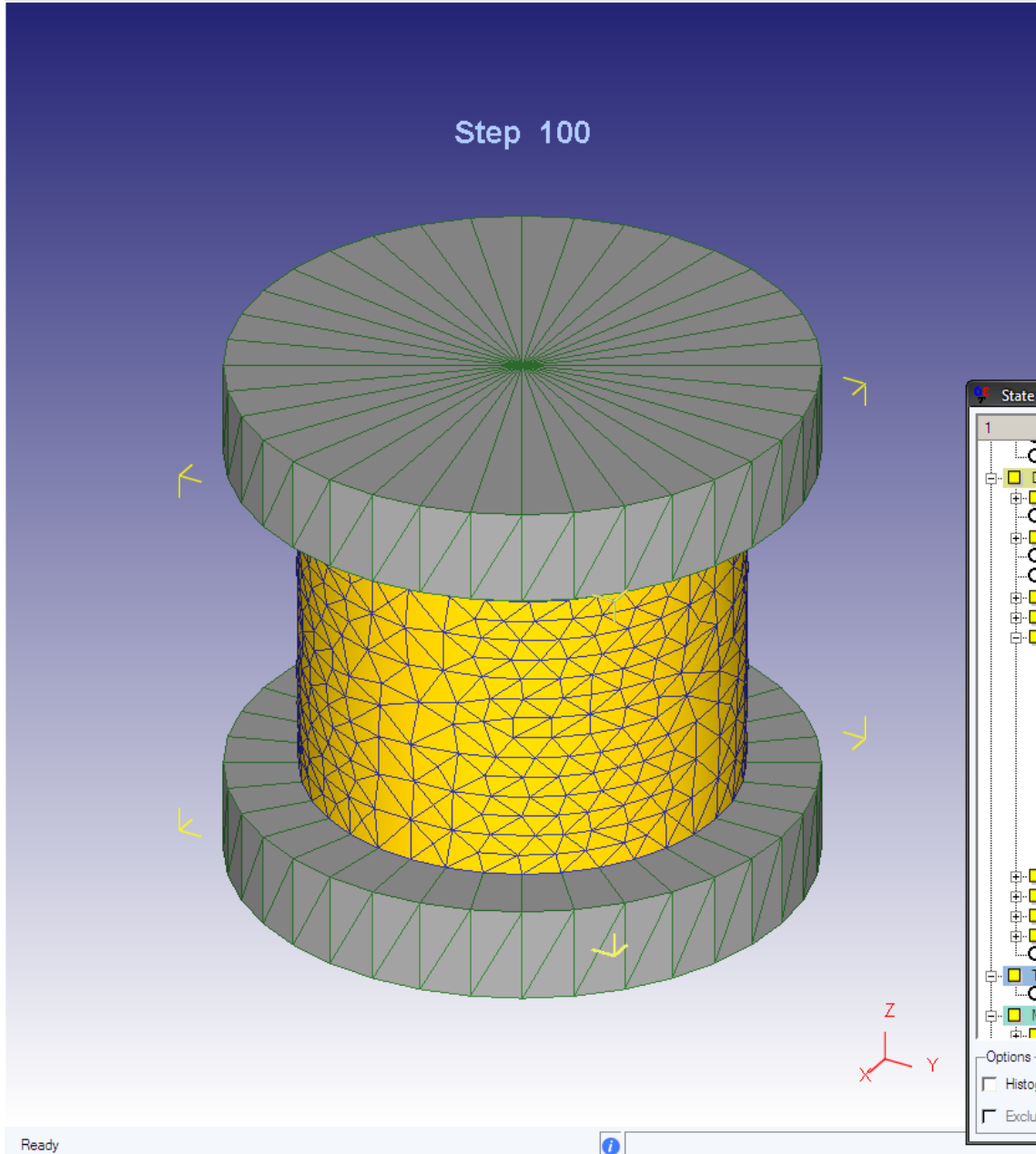
Title | Label | Shaded | Line | Min / 1 <

Colorbar type General

# of Values 4

Apply Close





DEFORM SIMULATION

- OPERATION 1 Step 100
  - [v] ( 1 ) Workpiece [v] Mesh - Elem 6792
  - [v] [PDie] ( 2 ) Top Die
    - [v] Geo - Poly 144
  - [v] ( 3 ) Bottom Die
    - [v] Geo - Poly 144

State Variables

1

- Surface area
- Deformation
- Coordinate
- Damage
- Displacement
- Density
- Strain - Effective
- Strain - Plastic
- Strain - Elastic
- Strain - Total
- Von Mises
  - Mean
  - Max principal
  - Inter principal
  - Min principal
  - X
  - Y
  - Z
  - XY
  - YZ
  - ZX
- Strain rate
- Stress
- Velocity
- Back stress
- Normal pressure
- Thermal
  - Temperature
- Micro structure
  - Hardness

Options

Histogram Bin width 20

Exclude rigid zone  None decrease

Apply

Close

Display

Line  Iso surface

Shaded  Vector plot

Solid  MinMax plot

Elemental

Set as default display Setup...

Deflection Show Controls

Scaling

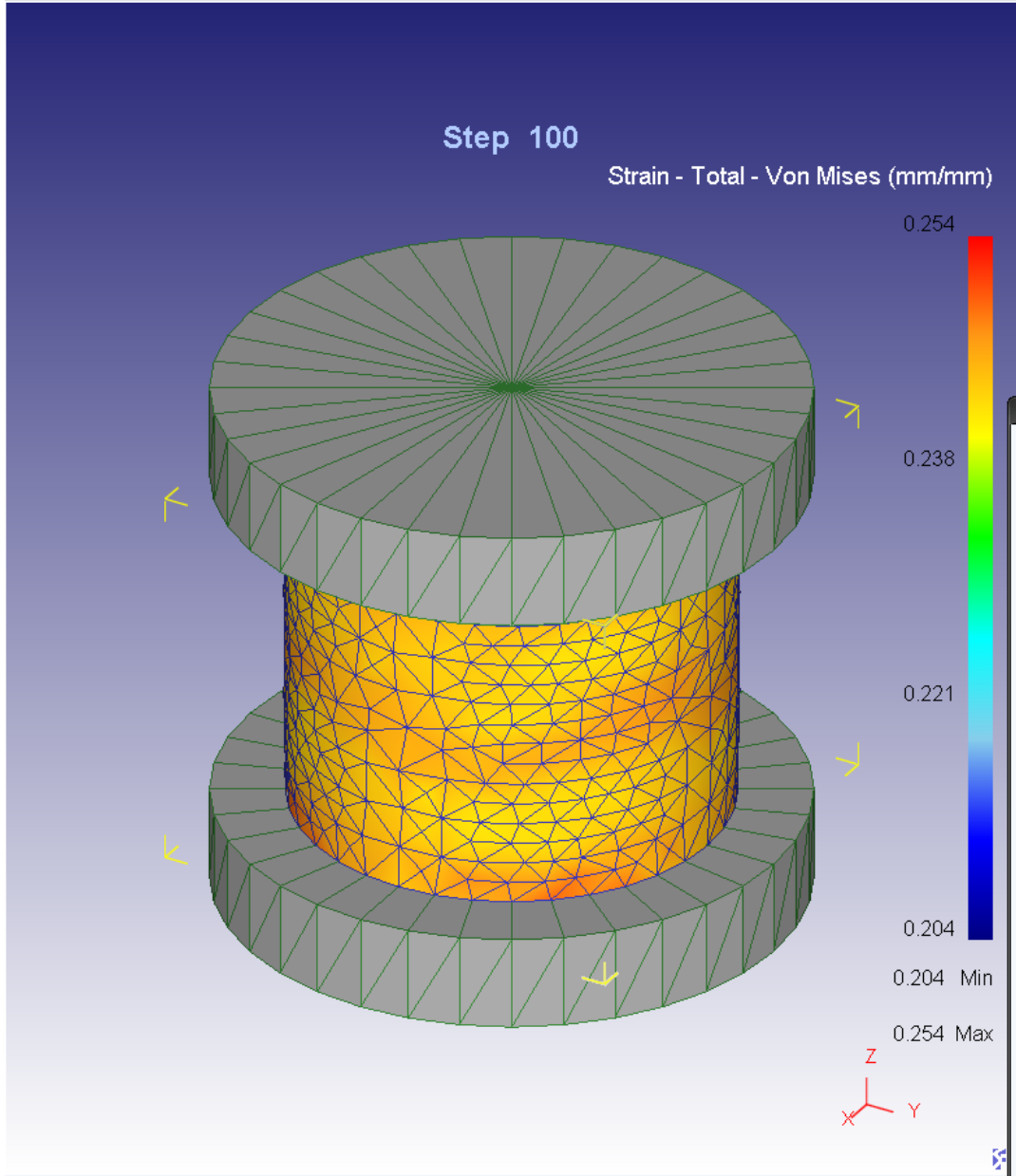
Local  User Min 0.204

Global  Object Max 0.254

Title | Label | Shaded | Line | Min / 1 >

Colorbar type General

# of Values 4



DEFORM SIMULATION

- [1] OPERATION 1 Step 100
  - [v] ( 1 ) Workpiece ■ AISI-1045.COLD[70...
  - [v] Mesh - Elem 6792
  - [v] StateVar.: Strain - Total - Von Mises (mm/mm)
  - [v] [PDie] ( 2 ) Top Die
    - [v] Geo - Poly 144
  - [v] ( 3 ) Bottom Die
    - [v] Geo - Poly 144

State Variables

1

- Surface area
- Deformation
- Coordinate
- Damage
- Displacement
- Density
- Strain - Effective
- Strain - Plastic
- Strain - Elastic
- Strain - Total
- Von Mises
  - Mean
  - Max principal
  - Inter principal
  - Min principal
  - X
  - Y
  - Z
  - XY
  - YZ
  - ZX
- Strain rate
- Stress
- Velocity
- Back stress
- Normal pressure
- Thermal
- Temperature
- Micro structure
- Hardness

Options

- Histogram Bin width
- Exclude rigid zone  None decrease

Display

- Line  Iso surface
- Shaded  Vector plot
- Solid  MinMax plot
- Elemental

Set as default display

Deflection

Scaling

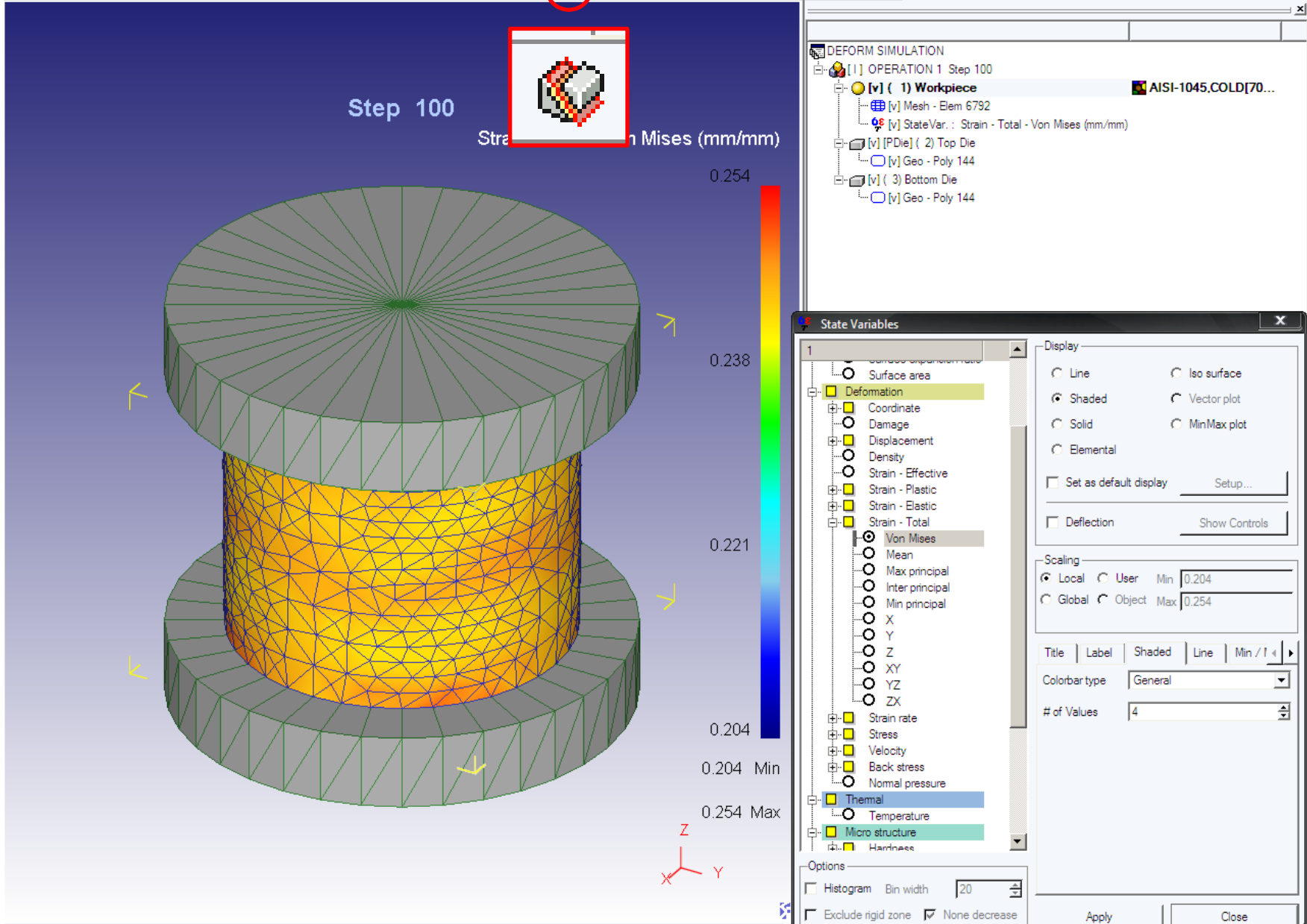
- Local  User Min
- Global  Object Max

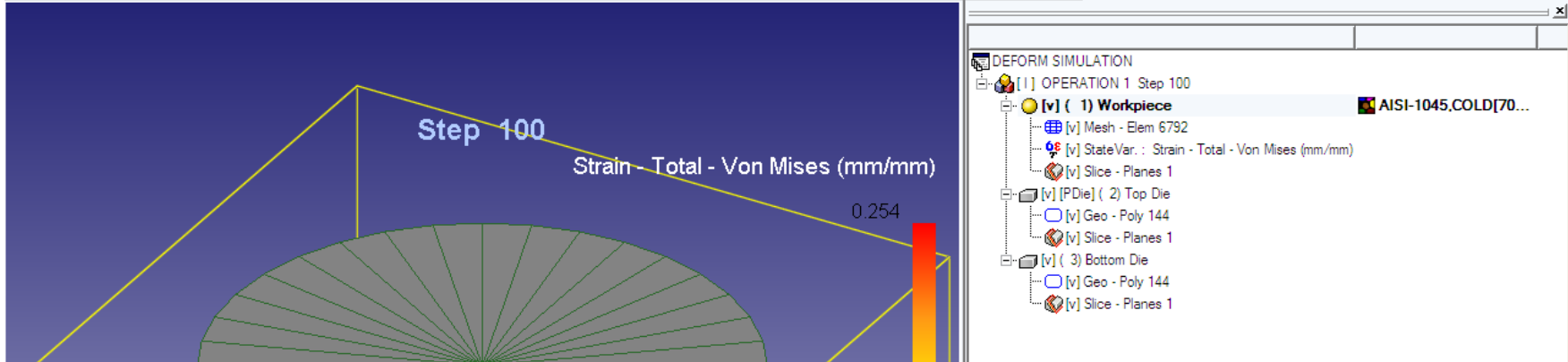
Title | Label | Shaded | Line | Min / 1 | >

Colorbar type

# of Values

- 
4. Создание сечений
  5. Отображение результатов решения по шагам





DEFORM SIMULATION

- [1] OPERATION 1 Step 100
  - [v] ( 1 ) Workpiece
    - [v] Mesh - Elem 6792
    - [v] StateVar.: Strain - Total - Von Mises (mm/mm)
    - [v] Slice - Planes 1
  - [v] [PDie] ( 2 ) Top Die
    - [v] Geo - Poly 144
    - [v] Slice - Planes 1
  - [v] ( 3 ) Bottom Die
    - [v] Geo - Poly 144
    - [v] Slice - Planes 1

### Slicing

Plane: Slicing1

Mode:  1 Point + Normal  3 Points

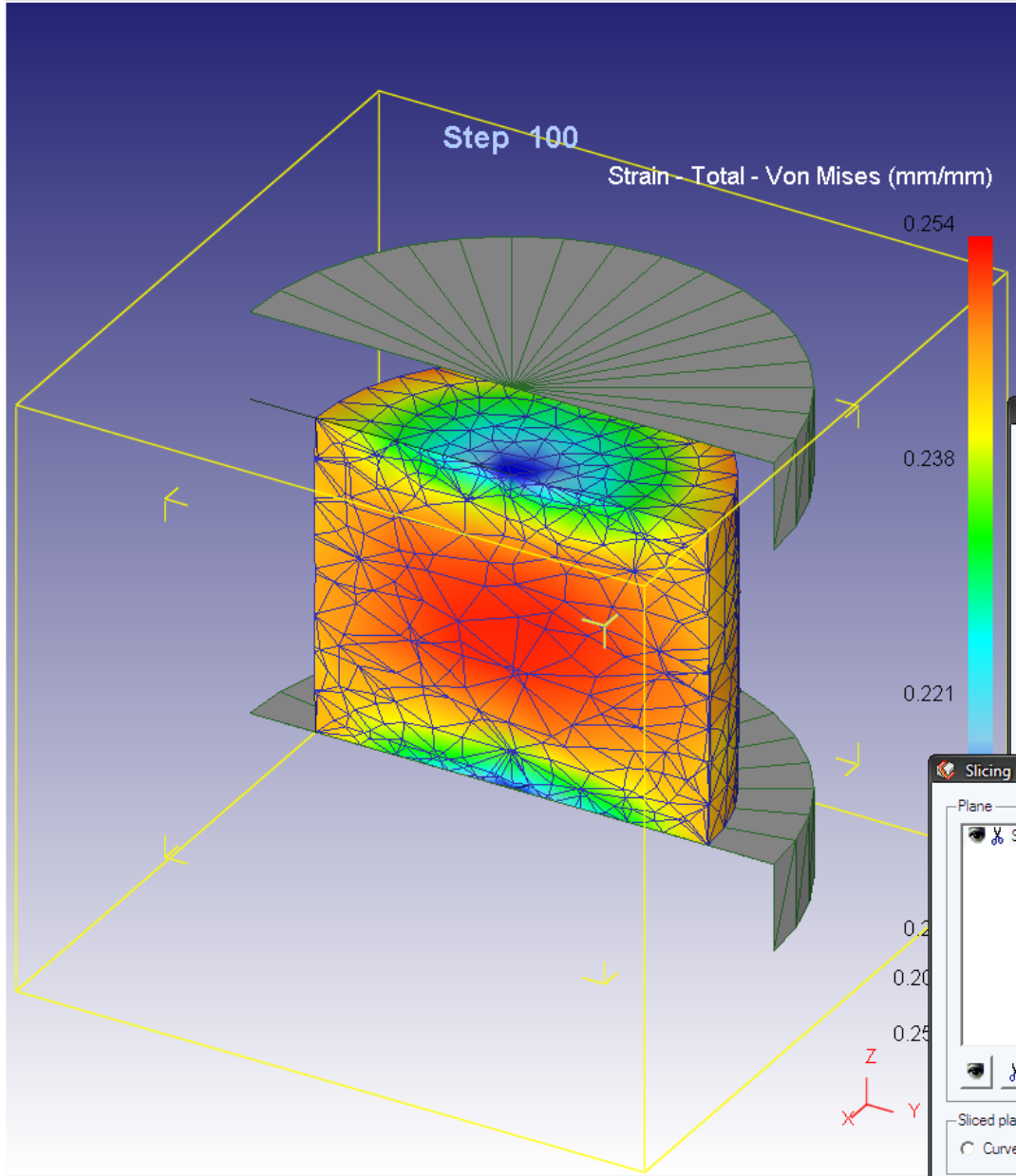
	X	Y	Z
P	156.000	0.000	0.000
N	1.000	0.000	0.000

-156.000 156.000

Sliced plane display:  Curve  Plane  Curve + Plane  Reverse

Offset: 0.01%

OK Cancel Slice All Objects Save SV Max Point SV Min Point Duplicate



DEFORM SIMULATION

- [1] OPERATION 1 Step 100
  - [v] (1) Workpiece AISI-1045.COLD[70...
    - [v] Mesh - Elem 6792
    - [v] StateVar.: Strain - Total - Von Mises (mm/mm)
    - [v] Slice - Planes 1
  - [v] [PDie] ( 2) Top Die
    - [v] Geo - Poly 144
    - [v] Slice - Planes 1
  - [v] ( 3) Bottom Die
    - [v] Geo - Poly 144
    - [v] Slice - Planes 1

State Variables

1

- Surface area
- Deformation
- Coordinate
- Damage
- Displacement
- Density
- Strain - Effective
- Strain - Plastic
- Strain - Elastic
- Strain - Total
- Von Mises
- Mean
- Max principal
- Inter principal

Display

- Line
- Iso surface
- Shaded
- Vector plot
- Solid
- MinMax plot
- Elemental

Set as default display Setup...

Deflection Show Controls

Scaling

Local  User Min 0.204

Slicing

Plane

- Slicing1

Mode

- 1 Point + Normal
- 3 Points

Input

	X	Y	Z
P	0	0.000	0.000
N	1.000	0.000	0.000

-156.000 156.000

Sliced plane display

- Curve
- Plane
- Curve + Plane
- Reverse

Offset 0.01%

OK

Cancel

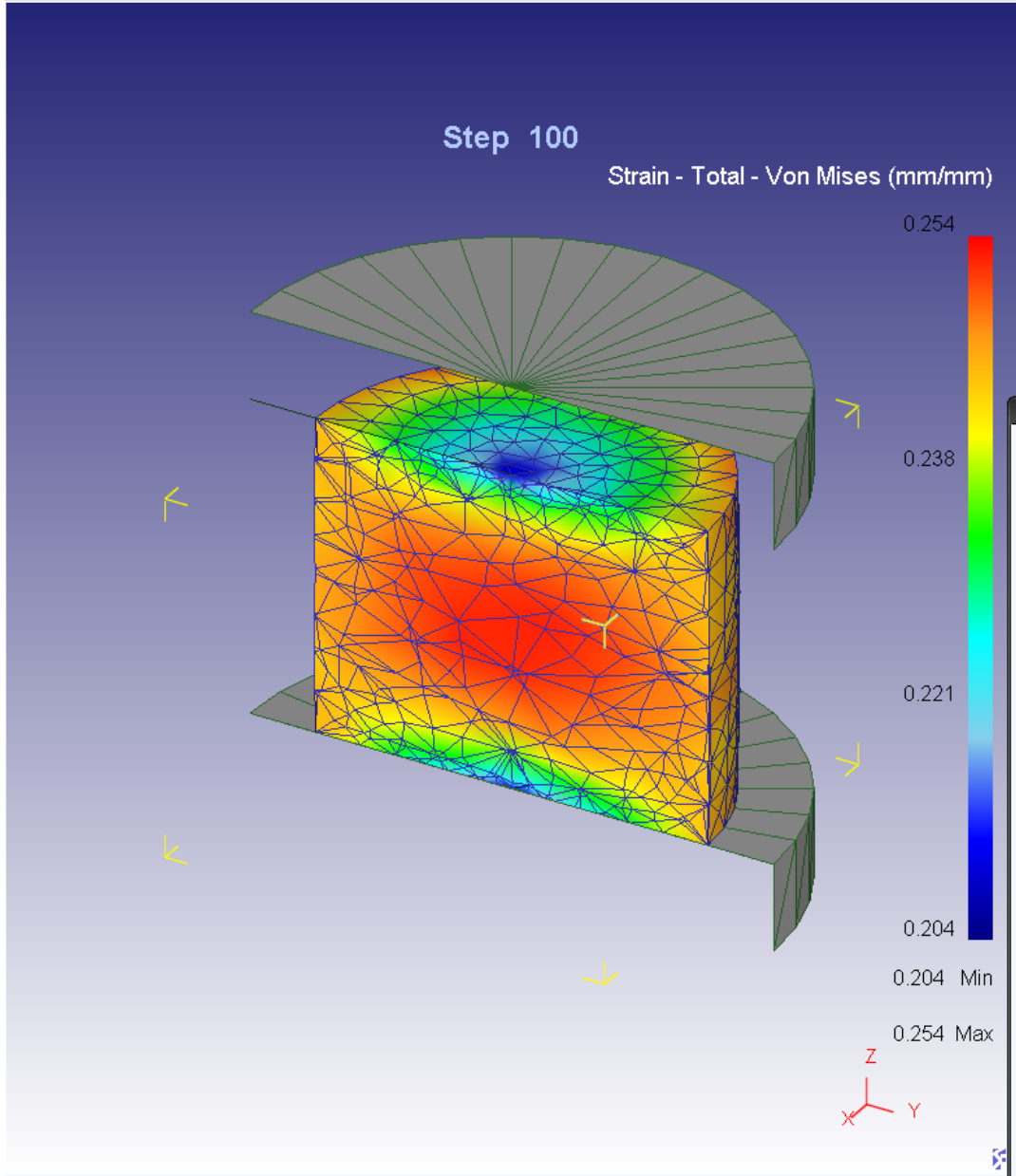
Slice All Objects

Save

SV Max Point

SV Min Point

Duplicate



DEFORM SIMULATION

- [1] OPERATION 1 Step 100
  - [v] ( 1 ) Workpiece AIS1-1045.COLD[70...
    - [v] Mesh - Elem 6792
    - [v] StateVar.: Strain - Total - Von Mises (mm/mm)
    - [v] Slice - Planes 1
  - [v] [PDie] ( 2 ) Top Die
    - [v] Geo - Poly 144
    - [v] Slice - Planes 1
  - [v] ( 3 ) Bottom Die
    - [v] Geo - Poly 144
    - [v] Slice - Planes 1

State Variables

1

- Surface area
- Deformation
  - Coordinate
  - Damage
  - Displacement
  - Density
  - Strain - Effective
  - Strain - Plastic
  - Strain - Elastic
  - Strain - Total
  - Von Mises**
    - Mean
    - Max principal
    - Inter principal
    - Min principal
    - X
    - Y
    - Z
    - XY
    - YZ
    - ZX
  - Strain rate
  - Stress
  - Velocity**
  - Back stress
  - Normal pressure
- Thermal
  - Temperature
- Micro structure
  - Hardness

Options

- Histogram Bin width 20
- Exclude rigid zone  None decrease

Display

- Line  Iso surface
- Shaded  Vector plot
- Solid  MinMax plot
- Elemental

Set as default display Setup...

Deflection Show Controls

Scaling

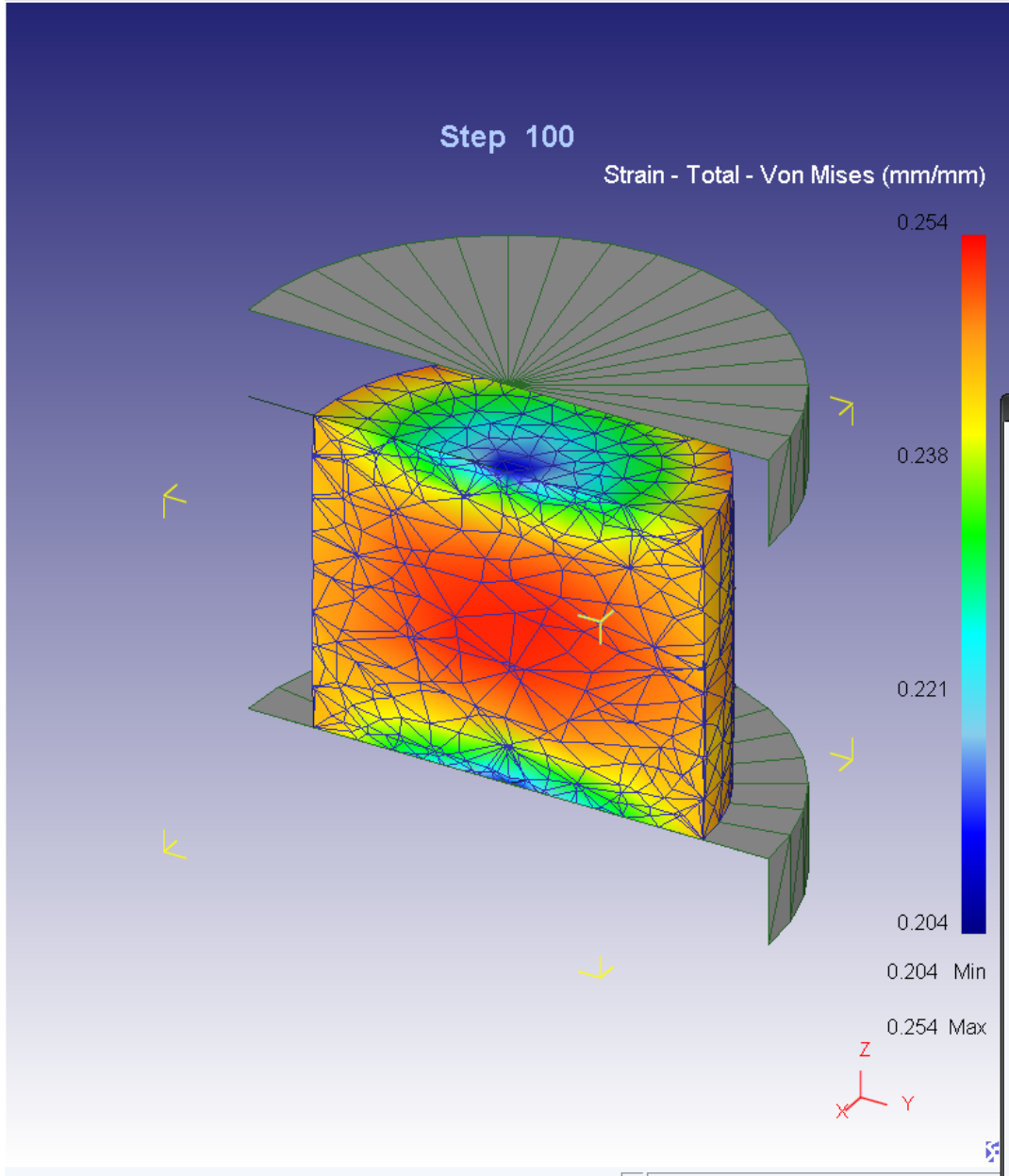
- Local  User Min 0.204
- Global  Object Max 0.254

Title | Label | Shaded | Line | Min / 1 <

Colorbar type General

# of Values 4

Apply Close



DEFORM SIMULATION

- [1] OPERATION 1 Step 100
  - [v] ( 1 ) Workpiece AISI-1045.COLD[70...
    - [v] Mesh - Elem 6792
    - [v] StateVar.: Strain - Total - Von Mises (mm/mm)
    - [v] Slice - Planes 1
  - [v] [PDie] ( 2 ) Top Die
    - [v] Geo - Poly 144
    - [v] Slice - Planes 1
  - [v] ( 3 ) Bottom Die
    - [v] Geo - Poly 144
    - [v] Slice - Planes 1

State Variables

1

- Surface area
- Deformation
- Coordinate
- Damage
- Displacement
- Density
- Strain - Effective
- Strain - Plastic
- Strain - Elastic
- Strain - Total
  - Von Mises
  - Mean
  - Max principal
  - Inter principal
  - Min principal
  - X
  - Y
  - Z
  - XY
  - YZ
  - ZX
- Strain rate
- Stress
- Velocity
  - Total vel**
  - X
  - Y
  - Z
- Back stress
- Normal pressure

Options

- Histogram Bin width 20
- Exclude rigid zone  None decrease

Display

- Line  Iso surface
- Shaded  Vector plot
- Solid  MinMax plot
- Elemental

Set as default display Setup...

Deflection Show Controls

Scaling

- Local  User Min 0.204
- Global  Object Max 0.254

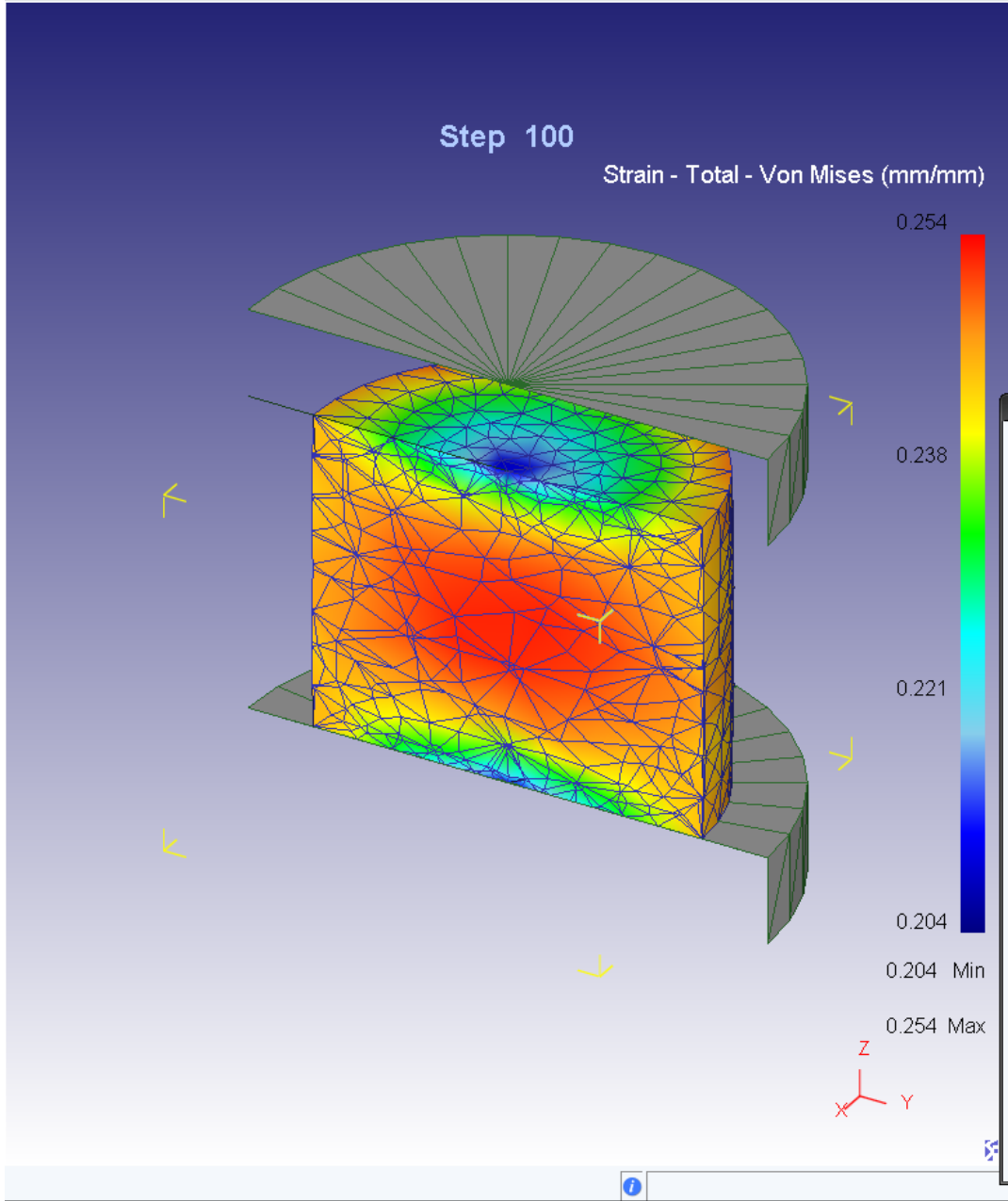
Title | Label | Shaded | Line | Min / 1 <

Colorbar type General

# of Values 4

Apply Close





DEFORM SIMULATION

- [1] OPERATION 1 Step 100
  - [v] ( 1 ) Workpiece ■ AISI-1045.COLD[70...
  - [v] Mesh - Elem 6792
  - [v] StateVar.: Strain - Total - Von Mises (mm/mm)
  - [v] Slice - Planes 1
  - [v] [PDie] ( 2 ) Top Die
    - [v] Geo - Poly 144
    - [v] Slice - Planes 1
  - [v] ( 3 ) Bottom Die
    - [v] Geo - Poly 144
    - [v] Slice - Planes 1

State Variables

1

- Surface area
- Deformation
- Coordinate
- Damage
- Displacement
- Density
- Strain - Effective
- Strain - Plastic
- Strain - Elastic
- Strain - Total
  - Von Mises
  - Mean
  - Max principal
  - Inter principal
  - Min principal
  - X
  - Y
  - Z
  - XY
  - YZ
  - ZX
- Strain rate
- Stress
- Velocity
  - Total vel
  - X
  - Y
  - Z
- Back stress
- Normal pressure

Options

- Histogram Bin width 20
- Exclude rigid zone  None decrease

Display

- Line  Iso surface
- Shaded  Vector plot
- Solid  MinMax plot
- Elemental

Set as default display Setup...

Deflection Show Controls

Scaling

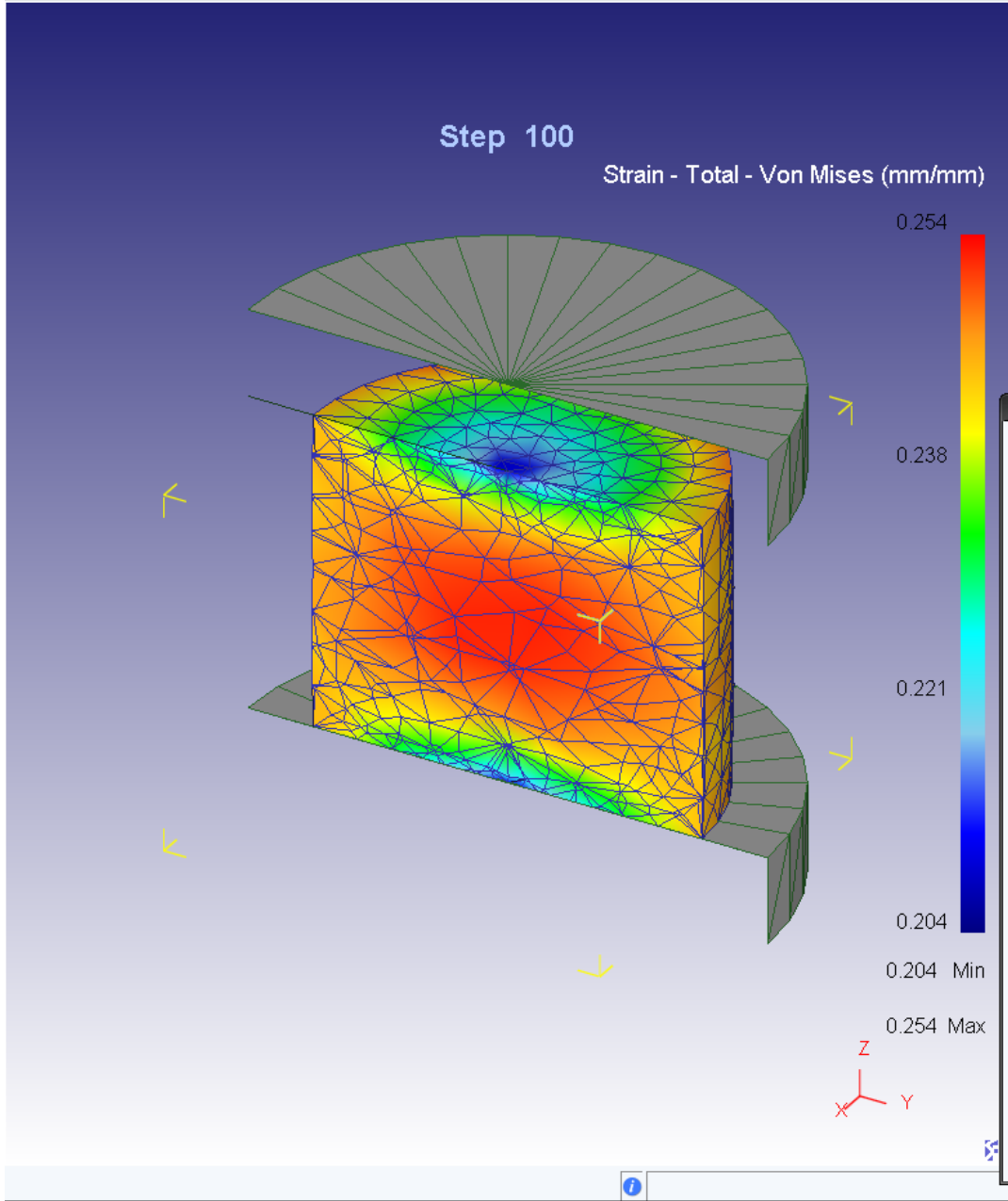
- Local  User Min 3.67e-04
- Global  Object Max 1.044

Title | Label | Shaded | Line | Min / 1 <

Colorbar type General

# of Values 4

Apply Close



DEFORM SIMULATION

- OPERATION 1 Step 100
  - (v) ( 1 ) Workpiece AIS1-1045.COLD[70...
    - (v) Mesh - Elem 6792
    - (v) StateVar.: Strain - Total - Von Mises (mm/mm)
    - (v) Slice - Planes 1
  - (v) [PDie] ( 2 ) Top Die
    - (v) Geo - Poly 144
    - (v) Slice - Planes 1
  - (v) ( 3 ) Bottom Die
    - (v) Geo - Poly 144
    - (v) Slice - Planes 1

State Variables

1

- Surface area
- Deformation
- Coordinate
- Damage
- Displacement
- Density
- Strain - Effective
- Strain - Plastic
- Strain - Elastic
- Strain - Total
  - Von Mises
  - Mean
  - Max principal
  - Inter principal
  - Min principal
  - X
  - Y
  - Z
  - XY
  - YZ
  - ZX
- Strain rate
- Stress
- Velocity
  - Total vel
  - X
  - Y
  - Z
- Back stress
- Normal pressure

Options

- Histogram Bin width 20
- Exclude rigid zone  None decreases

Display

- Line  Iso surface
- Shaded  Vector plot
- Solid  MinMax plot
- Elemental

Set as default display Setup...  
 Deflection Show Controls

Scaling

- Local  User Min 3.67e-04
- Global  Object Max 1.044

General | Body | Head

Type

- Constant size  Variable size

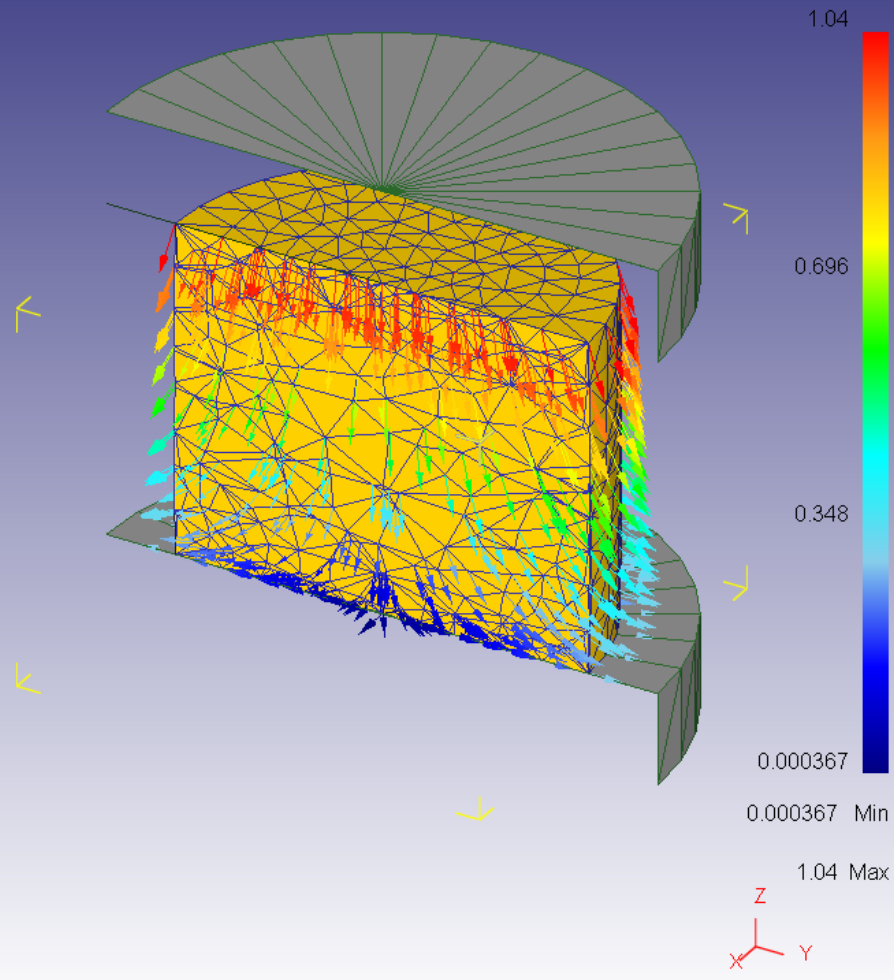
Sampling ratio (%)

1  100

Apply Close

Step 100

Velocity - Total vel (mm/sec)



DEFORM SIMULATION

- [1] OPERATION 1 Step 100
  - [v] ( 1 ) Workpiece AISI-1045.COLD[70...
    - [v] Mesh - Elem 6792
    - [v] StateVar.: Velocity - Total vel (mm/sec)
    - [v] Slice - Planes 1
  - [v] [PDie] ( 2 ) Top Die
    - [v] Geo - Poly 144
    - [v] Slice - Planes 1
  - [v] ( 3 ) Bottom Die
    - [v] Geo - Poly 144
    - [v] Slice - Planes 1

State Variables

1

- Surface area
- Deformation
- Coordinate
- Damage
- Displacement
- Density
- Strain - Effective
- Strain - Plastic
- Strain - Elastic
- Strain - Total
- Von Mises
- Mean
- Max principal
- Inter principal
- Min principal
- X
- Y
- Z
- XY
- YZ
- ZX
- Strain rate
- Stress
- Velocity
  - Total vel**
  - X
  - Y
  - Z
- Back stress
- Normal pressure

Options

- Histogram Bin width 20
- Exclude rigid zone  None decrease

Display

- Line  Iso surface
- Shaded  Vector plot
- Solid  MinMax plot
- Elemental

Set as default display Setup...

Deflection Show Controls

Scaling

- Local  User Min 3.67e-04
- Global  Object Max 1.044

General | Body | Head

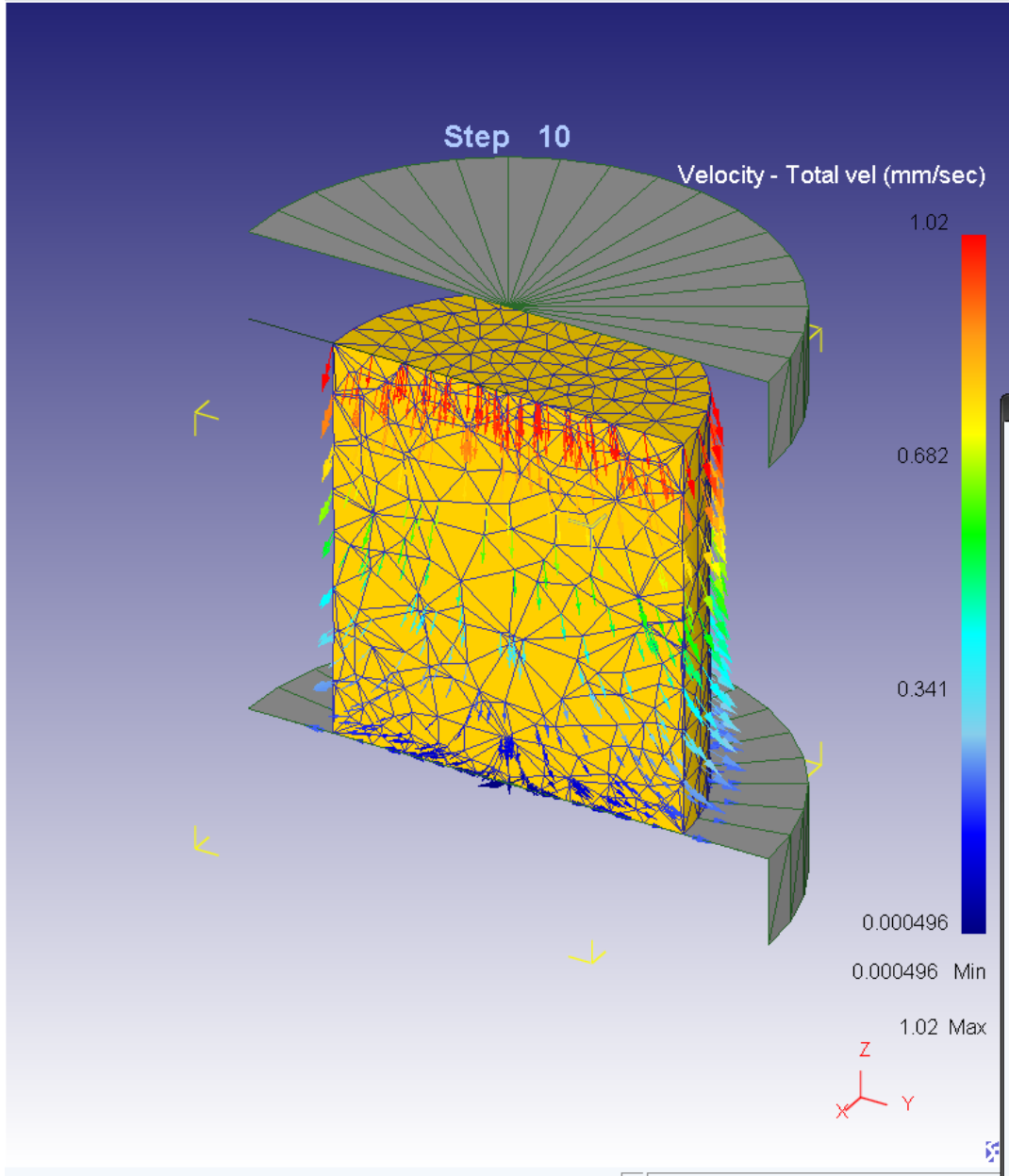
Type

- Constant size  Variable size

Sampling ratio (%)

1  100

Apply Close



DEFORM SIMULATION

- OPERATION 1 Step 10
  - (v) ( 1 ) Workpiece ■ AISI-1045.COLD[70...
  - (v) Mesh - Elem 6792
  - (v) StateVar.: Velocity - Total vel (mm/sec)
  - (v) Slice - Planes 1
  - (v) [PDie] ( 2 ) Top Die
    - (v) Geo - Poly 144
    - (v) Slice - Planes 1
  - (v) ( 3 ) Bottom Die
    - (v) Geo - Poly 144
    - (v) Slice - Planes 1

State Variables

1

- Clear state variables
- None
- Analysis
  - Minimum distance
  - Contact time
  - Folding angle
  - Surface expansion ratio
  - Surface area
- Deformation
  - Coordinate
  - Damage
  - Displacement
  - Density
  - Strain - Effective
  - Strain - Plastic
  - Strain - Elastic
  - Strain - Total
  - Strain rate
  - Stress
  - Velocity
    - Total vel
    - X
    - Y
    - Z
  - Back stress
  - Normal pressure
- Thermal
  - Temperature
- Micro structure
  - Hardness

Options

- Histogram Bin width
- Exclude rigid zone  None decrease

Display

- Line  Iso surface
- Shaded  Vector plot
- Solid  MinMax plot
- Elemental

Set as default display

Deflection

Scaling

- Local  User Min
- Global  Object Max

General | Body | Head

Type

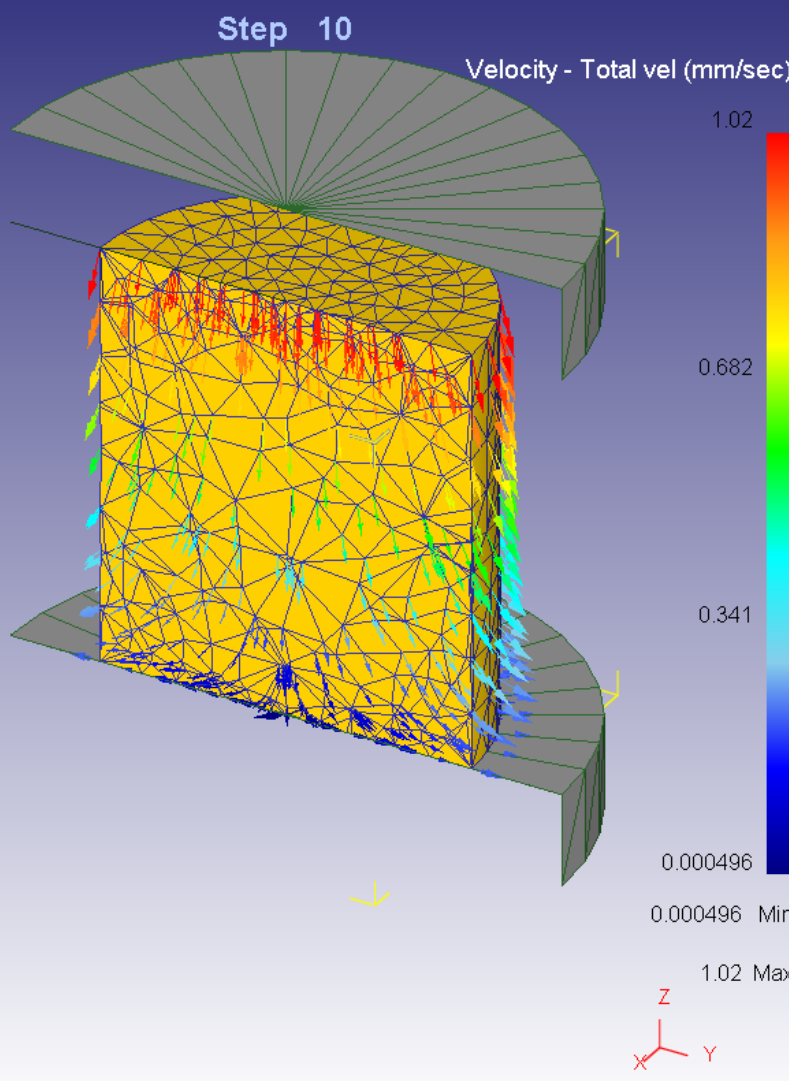
- Constant size  Variable size

Sampling ratio (%)

1  100

---

## 6. Сохранение графического материала для отчётов



DEFORM SIMULATION

- [1] OPERATION 1 Step 10
- [v] ( 1 ) Workpiece AISI-1045.COLD[70...
- [v] Mesh - Elem 6792
- [v] StateVar.: Velocity - Total vel (mm/sec)
- [v] Slice - Planes 1
- [v] [PDie] ( 2 ) Top Die
  - [v] Geo - Poly 144
  - [v] Slice - Planes 1
- [v] ( 3 ) Bottom Die
  - [v] Geo - Poly 144
  - [v] Slice - Planes 1

State Variables

1

- Clear state variables
- None
- Analysis
  - Minimum distance
  - Contact time
  - Folding angle
  - Surface expansion ratio
  - Surface area
- Deformation
  - Coordinate
  - Damage
  - Displacement
  - Density
  - Strain - Effective
  - Strain - Plastic
  - Strain - Elastic
  - Strain - Total
  - Strain rate
  - Stress
  - Velocity
    - Total vel
    - X
    - Y
    - Z
  - Back stress
  - Normal pressure
- Thermal
  - Temperature
- Micro structure
  - Hardness

Options

- Histogram Bin width
- Exclude rigid zone  None decrease

Display

- Line  Iso surface
- Shaded  Vector plot
- Solid  MinMax plot
- Elemental

Set as default display

Deflection

Scaling

- Local  User Min  Max
- Global  Object

General | Body | Head

Type

- Constant size  Variable size

Sampling ratio (%)

1  100

Select image file

Панка: Immersion12

immersion12.PNG

Имя файла: immersion12

Тип файла: PNG (\*.png \*.PNG)

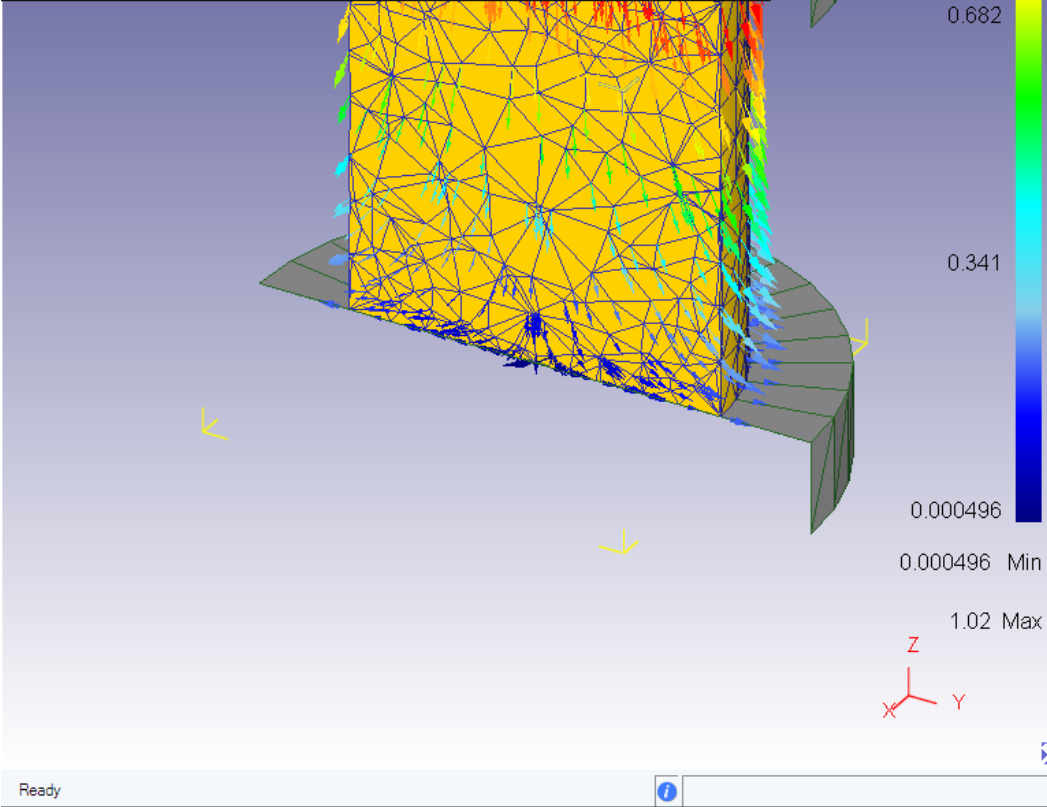
Сохранить Отмена

Ввести с клавиатуры:  
velocity

Velocity--Total vel

DEFORM SIMULATION

- OPERATION 1 Step 10
  - Workpiece (1) AISI-1045.COLD[70...
    - Mesh - Elem 6792
    - StateVar.: Velocity - Total vel (mm/sec)
    - Slice - Planes 1
    - PDie] ( 2) Top Die
      - Geo - Poly 144
      - Slice - Planes 1
    - Bottom Die ( 3)
      - Geo - Poly 144
      - Slice - Planes 1



State Variables

- 1
  - Clear state variables
    - None
  - Analysis
    - Minimum distance
    - Contact time
    - Folding angle
    - Surface expansion ratio
    - Surface area
  - Deformation
    - Coordinate
    - Damage
    - Displacement
    - Density
    - Strain - Effective
    - Strain - Plastic
    - Strain - Elastic
    - Strain - Total
    - Strain rate
    - Stress
    - Velocity
      - Total vel
      - X
      - Y
      - Z
    - Back stress
    - Normal pressure
  - Thermal
    - Temperature
  - Micro structure
    - Hardness

Options

- Exclude rigid zone
- None decrease

Display

- Line
- Shaded
- Solid
- Elemental
- Iso surface
- Vector plot
- MinMax plot

Set as default display Setup...

Deflection Show Controls

Scaling

- Local User Min 4.96e-04
- Global Object Max 1.022

General Body Head

Type

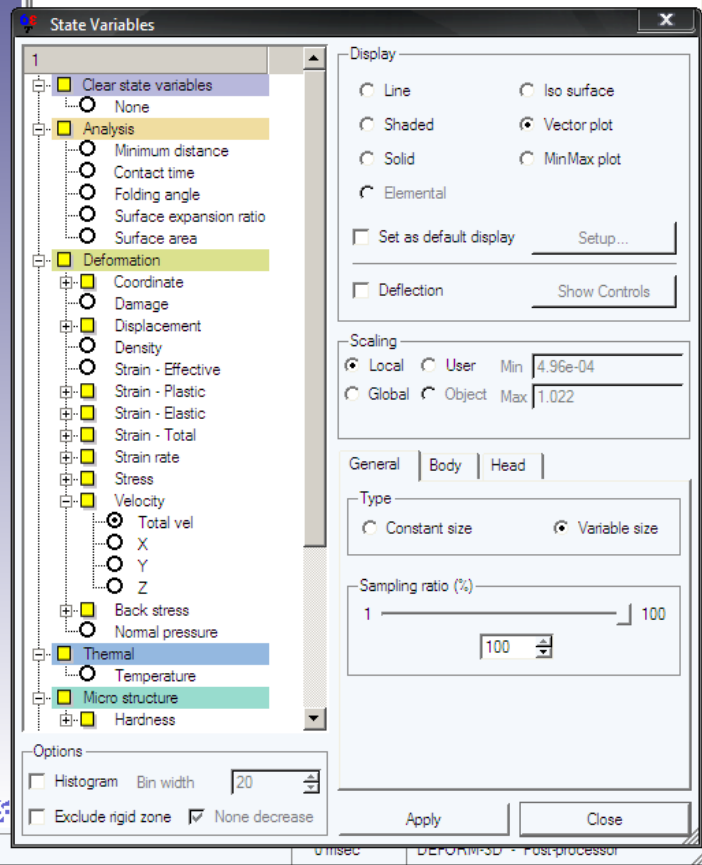
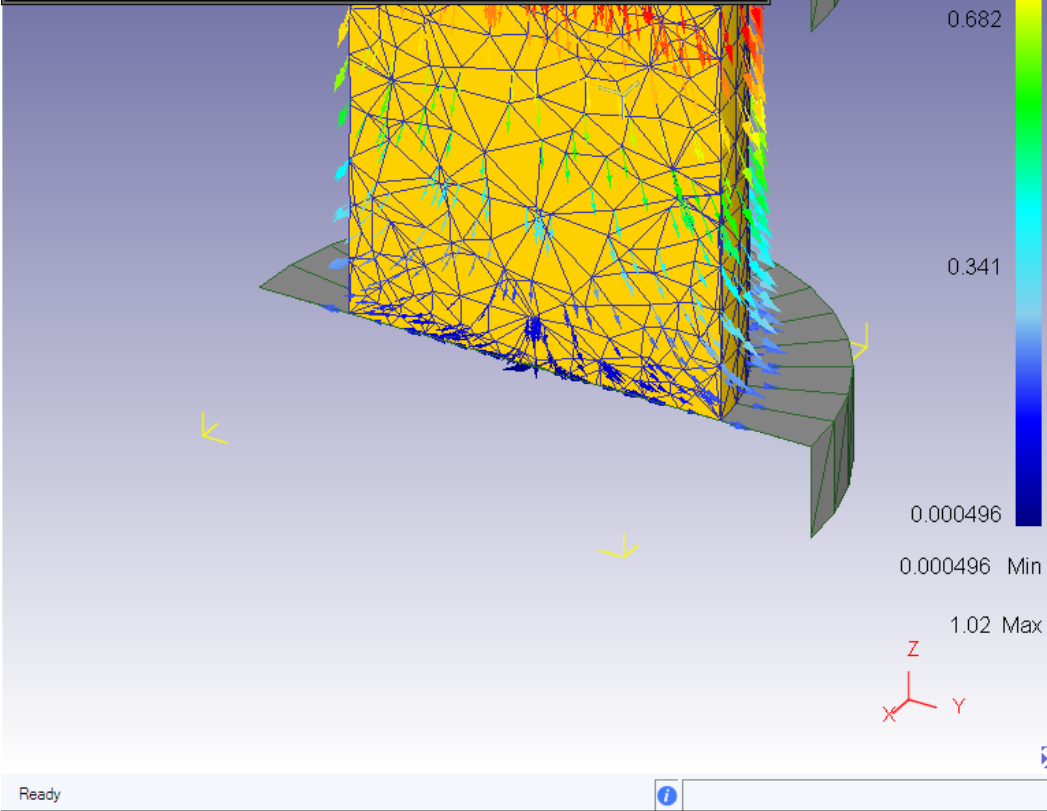
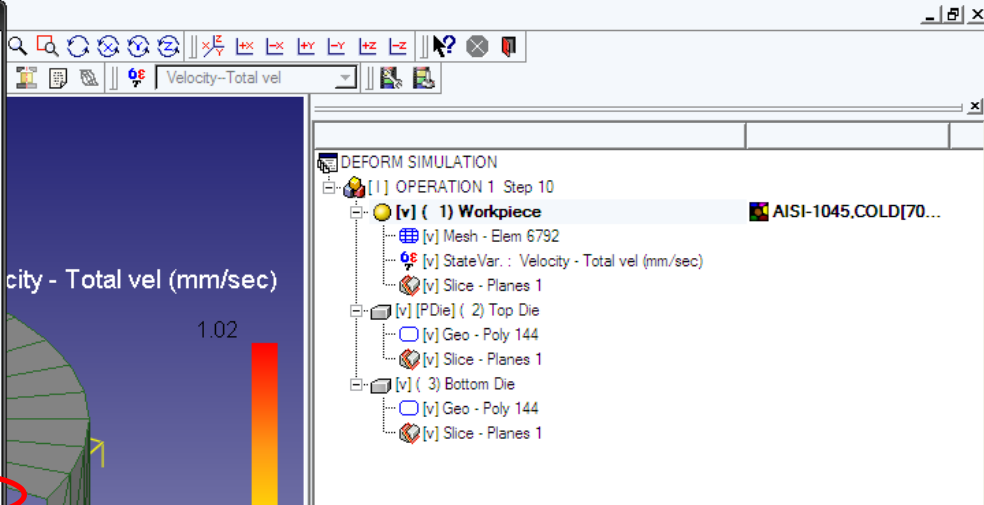
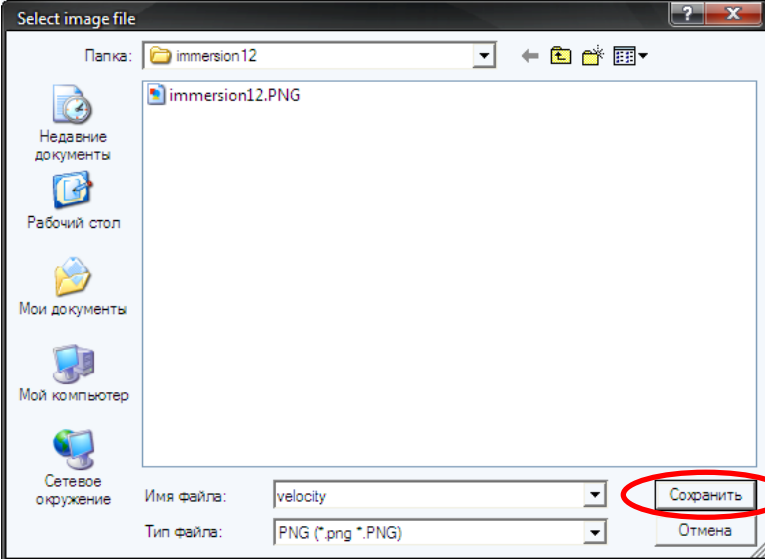
- Constant size
- Variable size

Sampling ratio (%)

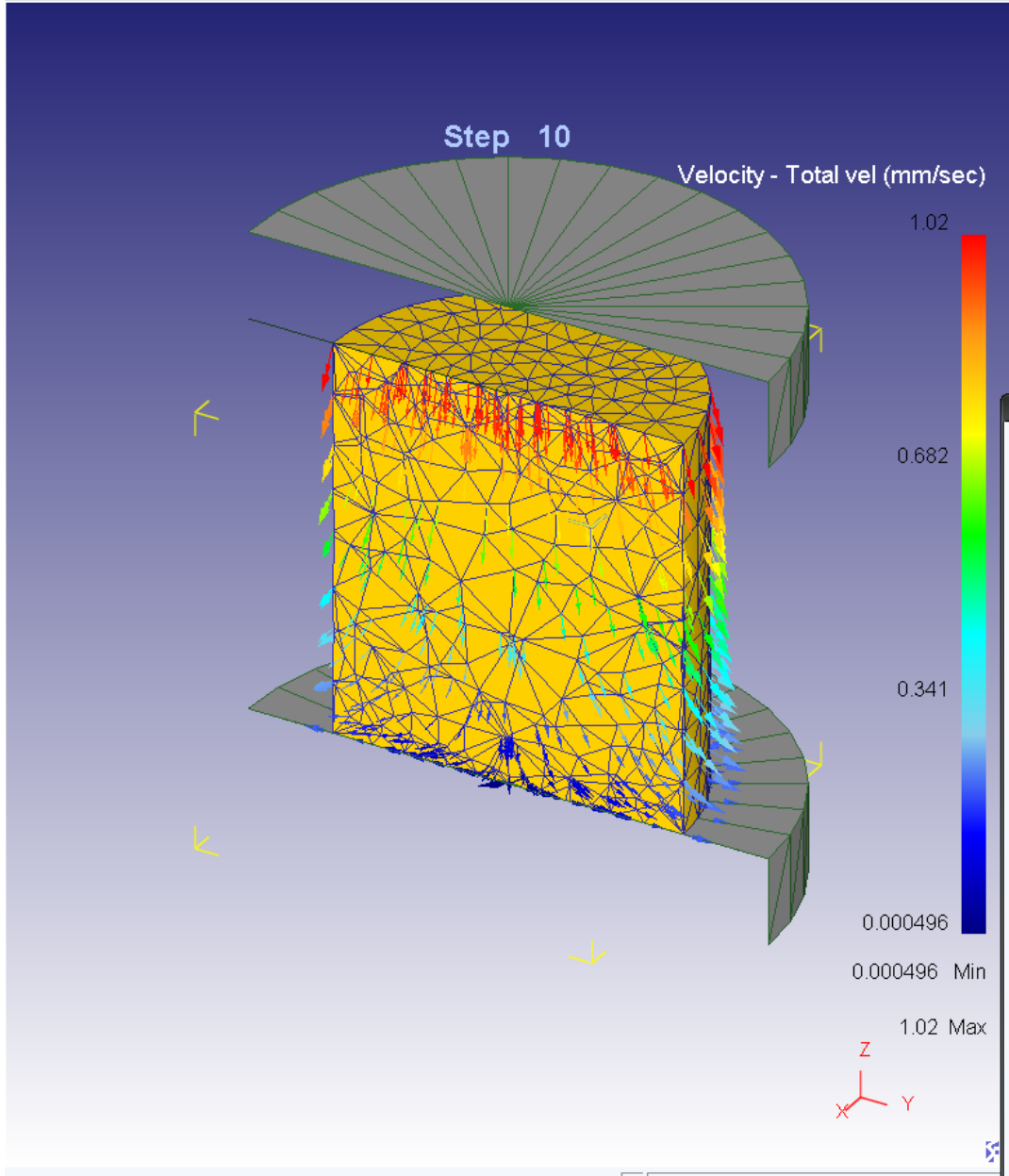
1 100

100

Apply Close







DEFORM SIMULATION

- [1] OPERATION 1 Step 10
  - [v] ( 1 ) Workpiece AISI-1045.COLD[70...
    - [v] Mesh - Elem 6792
    - [v] StateVar.: Velocity - Total vel (mm/sec)
    - [v] Slice - Planes 1
  - [v] [PDie] ( 2 ) Top Die
    - [v] Geo - Poly 144
    - [v] Slice - Planes 1
  - [v] ( 3 ) Bottom Die
    - [v] Geo - Poly 144
    - [v] Slice - Planes 1

State Variables

1

- Clear state variables
  - None
- Analysis
  - Minimum distance
  - Contact time
  - Folding angle
  - Surface expansion ratio
  - Surface area
- Deformation
  - Coordinate
  - Damage
  - Displacement
  - Density
  - Strain - Effective
  - Strain - Plastic
  - Strain - Elastic
  - Strain - Total
  - Strain rate
  - Stress
  - Velocity
    - Total vel
    - X
    - Y
    - Z
  - Back stress
  - Normal pressure
- Thermal
  - Temperature
- Micro structure
  - Hardness

Options

- Histogram Bin width
- Exclude rigid zone  None decrease

Display

- Line  Iso surface
- Shaded  Vector plot
- Solid  MinMax plot
- Elemental

Set as default display

Deflection

Scaling

- Local  User Min  Max
- Global  Object

General | Body | Head

Type

- Constant size  Variable size

Sampling ratio (%)

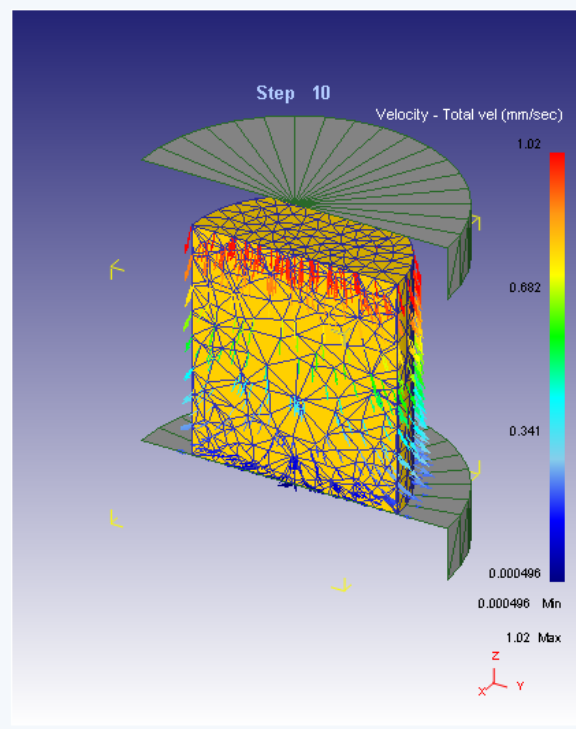
1  100

---

# 7. Просмотр графического материала



- dbg\_surf.2
- DEF\_MAIL.INI
- DEF\_MPlenv.DAT
- DEFORM3D.PROB
- DENSTY.DST
- frgen3d.diag.p0001
- immersion12.htm
- immersion12.PNG
- meshqual.diag
- surf.3
- surf.4
- surf.5
- velocity.PNG**



Pre Processor

- [DEFORM-3D Pre](#)
- Machining [Cutting]
- Fforming
- Die Stress Analysis
- Cogging
- Shape Rolling
- Ring Rolling
- Heat Treatment

Tool

- Inverse Heat
- Preform Wizard

Simulator

- [Run](#)
- [Run \(options\)](#)
- [Stop](#)
- [Continue](#)
- [Process Monitor](#)
- [Simulation Graphics](#)

- Batch Queue
- Add to Queue
- Run Remotely
- Remote Process Monitor

[Monitor Floating License](#)

Post Processor

- [DEFORM-3D Post](#)
- Microstructure

Explore Database Recent

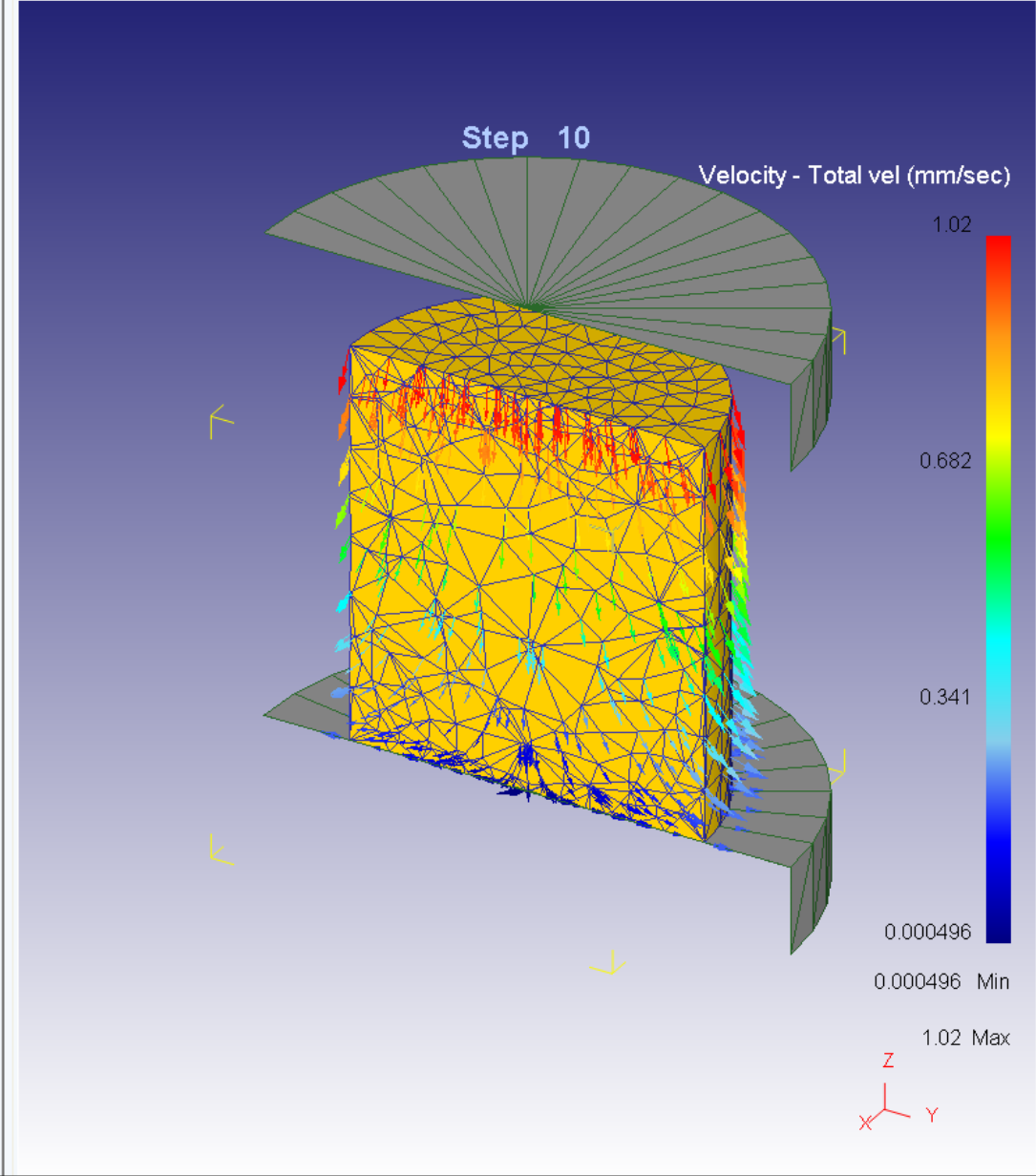
Directory

- immersion12.DB
- PROBLEM
  - immersi

- dbg\_surf.2
- DEF\_MAIL.INI
- DEF\_MPlenv.DAT
- DEFORM3D.PROB
- DENSTY.DST
- frgen3d.diag.p0001
- immersion12.png
- immersion12.png
- meshquad.diag
- surf.3
- surf.4
- surf.5
- velocity.PNG

Problem ID immersion12

Summary Preview Message Log Memo



Pre Processor

- DEFORM-3D Pre
- Machining [Cutting]
- Fforming
- Die Stress Analysis
- Cogging
- Shape Rolling
- Ring Rolling
- Heat Treatment

Tool

- Inverse Heat
- Preform Wizard

Simulator

- Run
- Run (options)
- Stop
- Continue
- Process Monitor
- Simulation Graphics
- Batch Queue
- Add to Queue
- Run Remotely
- Remote Process Monitor
- Monitor Floating License

Post Processor

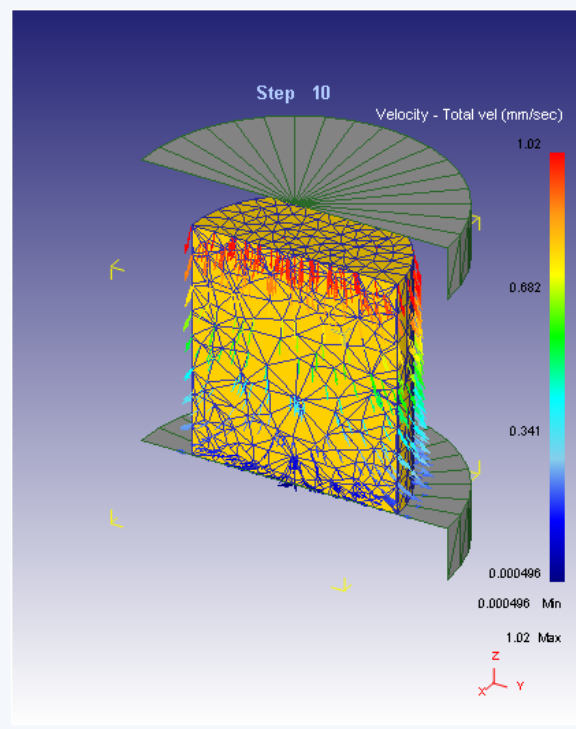
- DEFORM-3D Post
- Microstructure

Directory

- PROBLEM
  - immersion12

immersion12.DB

- dbg\_surf.2
- DEF\_MAIL.INI
- DEF\_MPlenv.DAT
- DEFORM3D.PROB
- DENSTY.DST
- frgen3d.diag.p0001
- immersion12.htm
- immersion12.PNG
- meshqual.diag
- surf.3
- surf.4
- surf.5
- velocity.PNG



Pre Processor

- DEFORM-3D Pre
- Machining [Cutting]
- Fforming
- Die Stress Analysis
- Cogging
- Shape Rolling
- Ring Rolling
- Heat Treatment

Tool

- Inverse Heat
- Preform Wizard

Simulator

- Run
- Run (options)
- Stop
- Continue
- Process Monitor
- Simulation Graphics

- Batch Queue
- Add to Queue
- Run Remotely
- Remote Process Monitor

[Monitor Floating License](#)

Post Processor

- DEFORM-3D Post
- Microstructure

---

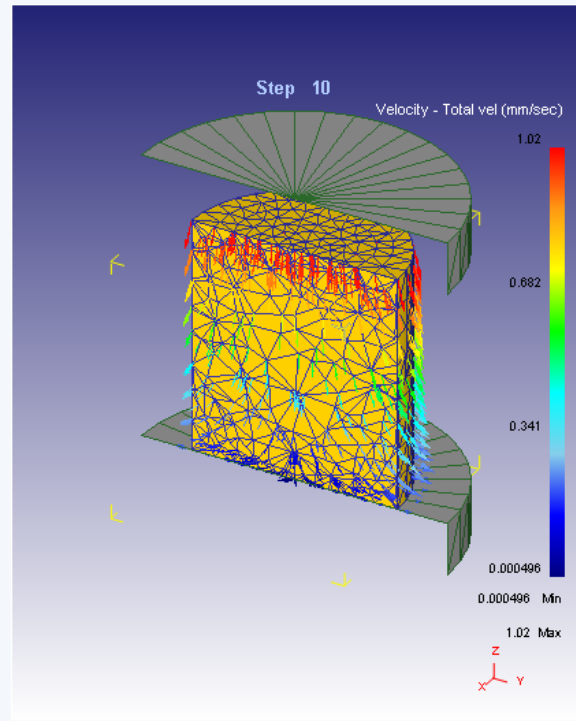
## 8. Удаление модели

Directory

- PROBLEM
  - immersion12

immersion12.DB

- dbg\_surf.2
- DEF\_MAIL.INI
- DEF\_MPlenv.DAT
- DEFORM3D.PROB
- DENSTY.DST
- frgen3d.diag.p0001
- immersion12.htm
- immersion12.PNG
- meshqual.diag
- surf.3
- surf.4
- surf.5
- velocity.PNG



Pre Processor

- DEFORM-3D Pre
- Machining [Cutting]
- Fforming
- Die Stress Analysis
- Cogging
- Shape Rolling
- Ring Rolling
- Heat Treatment

Tool

- Inverse Heat
- Preform Wizard

Simulator

- Run
- Run (options)
- Stop
- Continue
- Process Monitor
- Simulation Graphics

- Batch Queue
- Add to Queue
- Run Remotely
- Remote Process Monitor

[Monitor Floating License](#)

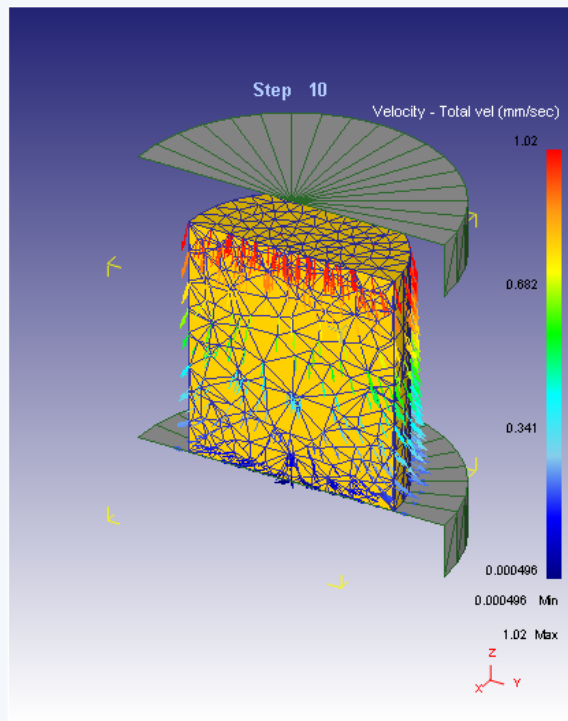
Post Processor

- DEFORM-3D Post
- Microstructure

Directory

- immersion12.DB
- PROBLEM
  - immersion12
    - New problem
    - Refresh
    - Auto refresh frequency...
    - Set as browse location
    - Set as problem home directory
    - New sub folder
    - Delete**
    - Rename
    - Clean-up files

- dbg\_surf.2
- DEF\_MAIL.INI
- DEF\_MPlenv.DAT
- DEFORM3D.PROB
- DENSTY.DST
- frigen3d.diag.p0001
- immersion12.htm
- immersion12.PNG
- meshqual.diag
- surf.3
- surf.4
- surf.5
- velocity.PNG



Pre Processor

- DEFORM-3D Pre
- Machining [Cutting]
- Fforming
- Die Stress Analysis
- Cogging
- Shape Rolling
- Ring Rolling
- Heat Treatment

Tool

- Inverse Heat
- Preform Wizard

Simulator

- Run
- Run (options)
- Stop
- Continue
- Process Monitor
- Simulation Graphics

- Batch Queue
- Add to Queue

- Run Remotely
- Remote Process Monitor

[Monitor Floating License](#)

Post Processor

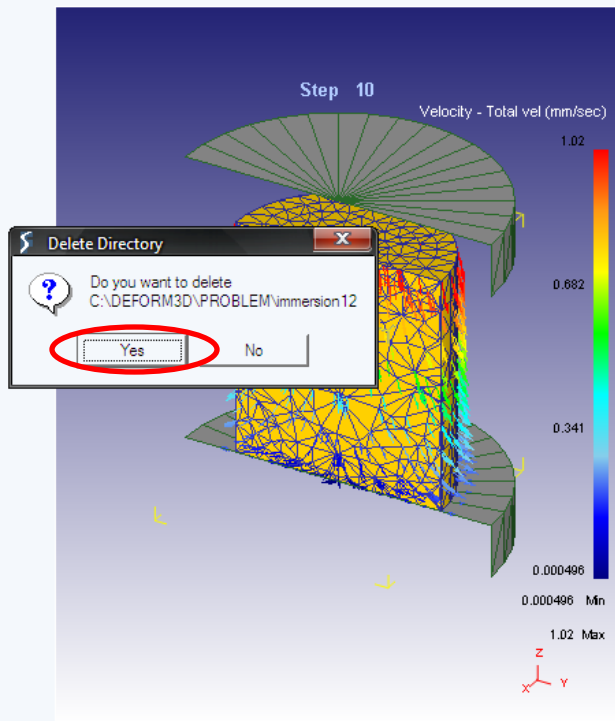
- DEFORM-3D Post
- Microstructure



Directory

- immersion12.DB
- PROBLEM
  - immersion12

- dbg\_surf.2
- DEF\_MAIL.INI
- DEF\_MPlenv.DAT
- DEFORM3D.PROB
- DENSTY.DST
- frgen3d.diag.p0001
- immersion12.htm
- immersion12.PNG
- meshqual.diag
- surf.3
- surf.4
- surf.5
- velocity.PNG



Pre Processor

- DEFORM-3D Pre
- Machining [Cutting]
- Fforming
- Die Stress Analysis
- Cogging
- Shape Rolling
- Ring Rolling
- Heat Treatment

Tool

- Inverse Heat
- Preform Wizard

Simulator

- Run
- Run (options)
- Stop
- Continue
- Process Monitor
- Simulation Graphics

- Batch Queue
- Add to Queue

- Run Remotely
- Remote Process Monitor

Monitor Floating License

Post Processor

- DEFORM-3D Post
- Microstructure

Directory

- PROBLEM

DEFORM3D.PROB

No preview is available

Pre Processor

- [DEFORM-3D Pre](#)
- Machining [Cutting]
- Forming
- Die Stress Analysis
- Cogging
- Shape Rolling
- Ring Rolling
- Heat Treatment

Tool

- Inverse Heat
- Preform Wizard

Simulator

- [Run](#)
- [Run \(options\)](#)
- [Stop](#)
- [Continue](#)
- [Process Monitor](#)
- [Simulation Graphics](#)
- Batch Queue
- Add to Queue
- Run Remotely
- Remote Process Monitor
- [Monitor Floating License](#)

Post Processor

- [DEFORM-3D Post](#)
- Microstructure